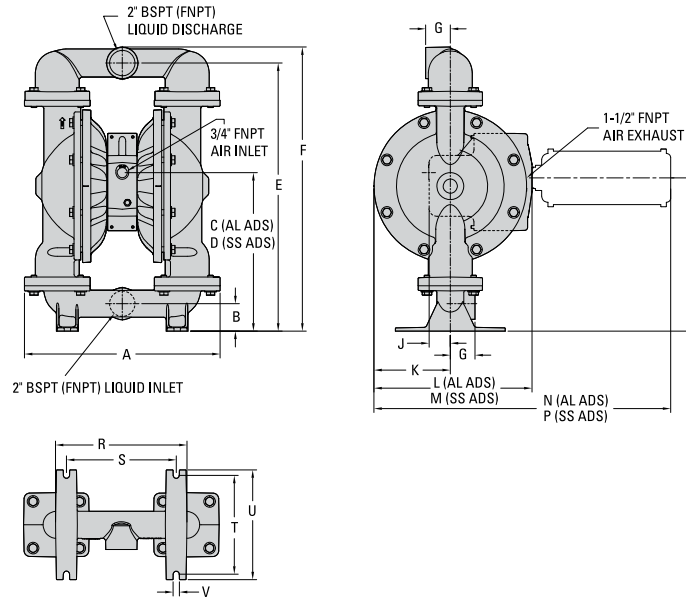


## PS820/PS830 STAINLESS STEEL FIT PUMP

**51 mm (2") Pump**  
**Maximum Flow Rate:**  
**704 lpm (186 gpm)**

### DIMENSIONAL DRAWING

#### PS820 Stainless Steel



#### DIMENSIONS

ITEM	METRIC (mm)	STANDARD (inch)
A	452	17.8
B	64	2.5
C	367	14.3
D	372	14.7
E	620	24.4
F	658	25.9
G	58	2.3
H	354	14.0
J	48	1.9
K	178	7.0
L	366	14.4
M	353	13.9
N	687	27.0
P	674	26.5
R	305	12.0
S	254	10.0
T	229	9.0
U	254	10.0
V	15	0.6

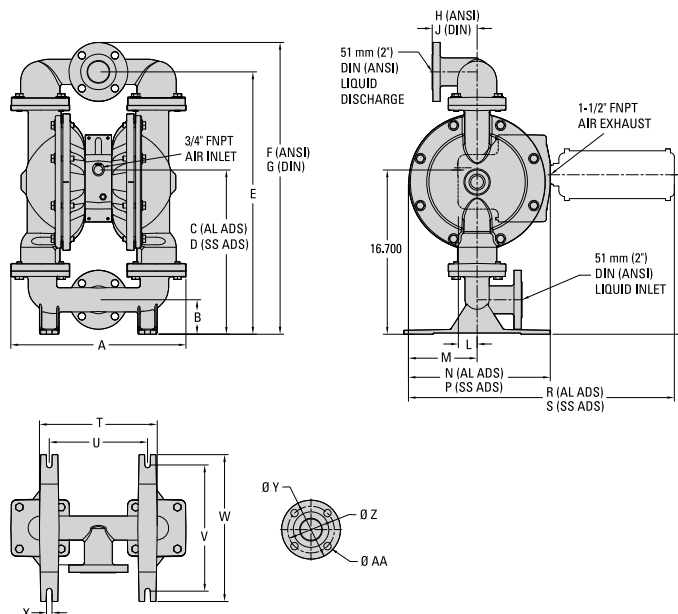
LW0240 REV. A

### PUMP DATA

#### Specifications:

Height..... 820 Threaded 658 mm (25.9")  
 830 Flanged 754 mm (29.7")  
 Width..... 452 mm (17.8")  
 Depth..... Aluminum ADS 366 mm (14.4")  
 Stainless Steel ADS 353 mm (13.9")  
 Ship Weight..... 820 Threaded 73 kg (161 lb)  
 830 Flanged 81 kg (178 lb)  
 Air Inlet ..... 3/4"  
 Flanged Inlet ..... 51 mm (2")  
 Flanged Outlet..... 51 mm (2")  
 Threaded Inlet ..... 2"  
 Threaded Outlet..... 2"

#### PS830 Stainless Steel



#### DIMENSIONS

ITEM	METRIC (mm)	STANDARD (inch)
A	452	17.8
B	89	3.5
C	424	16.7
D	429	16.9
E	678	26.7
F	754	29.7
G	760	29.9
H	116	4.6
J	115	4.5
K	412	16.2
L	48	1.9
M	177	7.0
N	366	14.2
P	354	13.9
R	677	27.1
S	675	26.6
T	304	12.0
U	254	10.0
V	325	12.8
W	379	14.9
X	14	0.6
	<b>DIN (mm)</b>	<b>ANSI (Inch)</b>
Y	165 DIA	6.0 DIA
Z	125 DIA	4.8 DIA
AA	18 DIA	0.8 DIA

LW0241 REV. A

