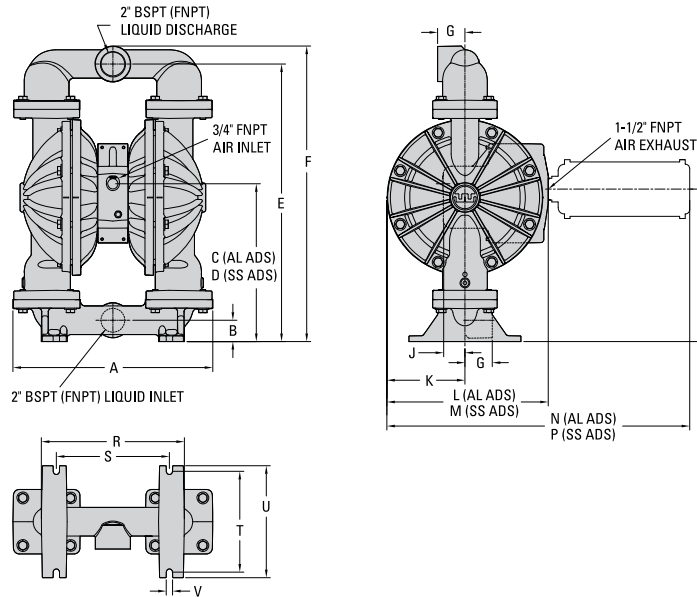


## PS820/PS830 ALUMINUM FIT PUMP

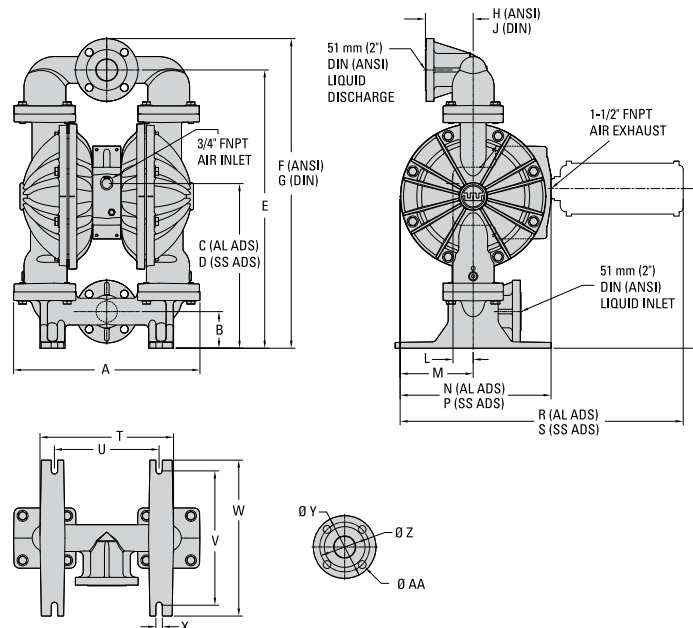
**51 mm (2") Pump**  
**Maximum Flow Rate:**  
**704 lpm (186 gpm)**

### DIMENSIONAL DRAWING

#### PS820 Aluminum



#### PS830 Aluminum



### DIMENSIONS

ITEM	METRIC (mm)	STANDARD (inch)
A	453	17.9
B	48	1.9
C	358	14.1
D	364	14.3
E	630	24.8
F	670	26.4
G	62	2.4
H	346	13.6
J	48	1.9
K	177	7.0
L	366	14.4
M	354	13.9
N	687	27.1
P	675	26.6
R	324	12.8
S	257	10.1
T	229	9.0
U	254	10.0
V	14	0.6

LW0238 REV. A

### DIMENSIONS

ITEM (mm)	METRIC (mm)	STANDARD (inch)
A	452	17.8
B	89	3.5
C	400	15.7
D	405	16.0
E	675	26.6
F	752	29.6
G	758	29.8
H	116	4.6
J	117	4.6
K	387	15.3
L	48	1.9
M	177	7.0
N	366	14.4
P	354	13.9
R	687	27.1
S	675	26.6
T	324	12.8
U	254	10.0
V	326	12.8
W	378	14.9
X	16	0.6
	DIN (mm)	ANSI (Inch)
Y	165 DIA	6 DIA
Z	125 DIA	4.8 DIA
AA	18 DIA	0.8 DIA

LW0239 REV. A

### PUMP DATA

#### Specifications:

Height..... 820 Threaded 670 mm (26.4")  
 830 Flanged 752 mm (29.6")  
 Width..... 452 mm (17.8")  
 Depth.....  
 Aluminum ADS 366 mm (14.4")  
 Stainless Steel ADS 354 mm (13.9")  
 Ship Weight..... 820 Threaded 47 kg (104 lb)  
 830 Flanged 54 kg (118 lb)  
 Air Inlet ..... 3/4"  
 Flanged Inlet ..... 51 mm (2")  
 Flanged Outlet..... 51 mm (2")  
 Threaded Inlet ..... 2"  
 Threaded Outlet..... 2"

22069 Van Buren Street  
 Grand Terrace, CA 92313-5607 USA

O: +1 (909) 422-1730 F: +1 (909) 783-3440  
 www.psgdover.com

