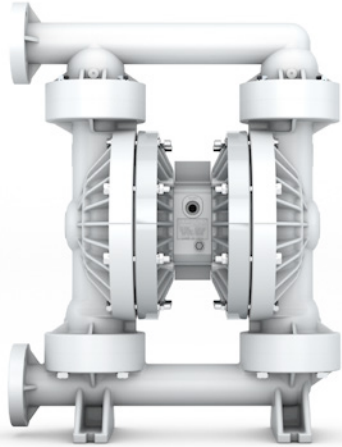


PS800 PLASTIC PUMP

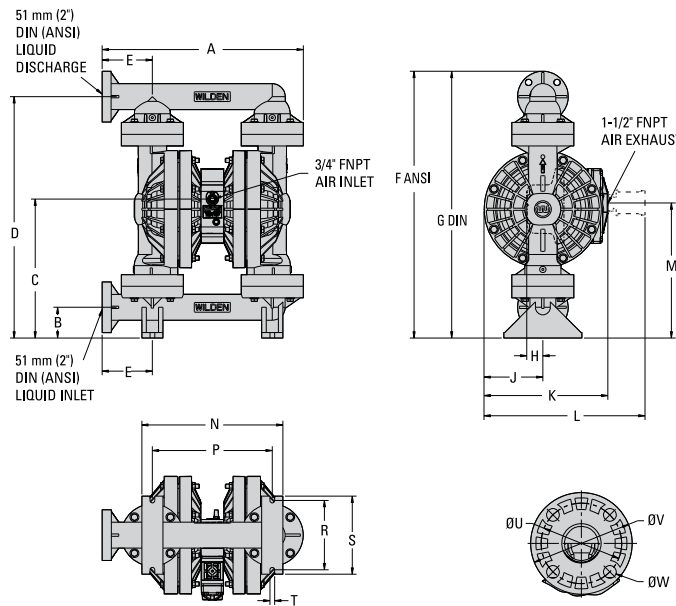
51 mm (2") Pump
Maximum Flow Rate:
709 lpm (187 gpm)



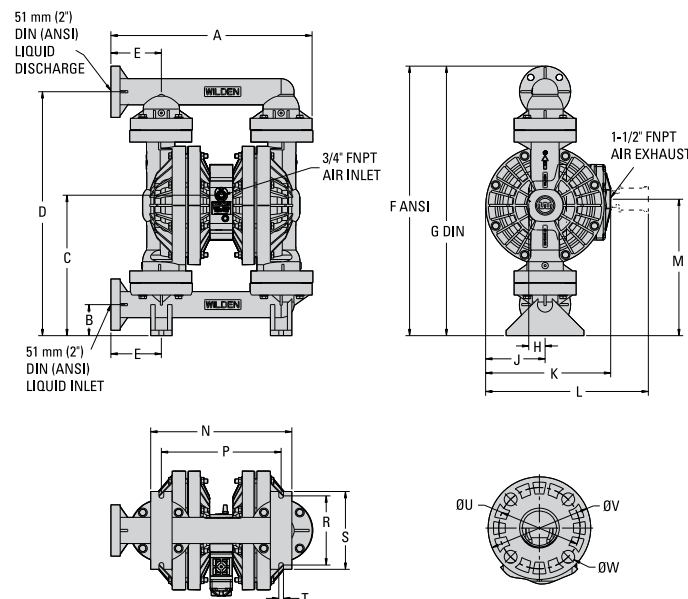
PS800 PLASTIC

DIMENSIONAL DRAWING

PS800 Polypropylene



PS800 PVDF



DIMENSIONS

ITEM	METRIC (mm)	STANDARD (inch)
A	604	23.8
B	92	3.6
C	417	16.4
D	724	28.5
E	151	5.9
F	801	31.5
G	807	31.8
H	48	1.9
J	177	7.0
K	371	14.6
L	480	18.9
M	405	16.0
N	423	16.7
P	360	14.2
R	208	8.2
S	234	9.2
T	14	0.6
DIN FLANGE		
U	125 DIA.	4.9 DIA.
V	165 DIA.	6.5 DIA.
W	18 DIA.	0.7 DIA.
ANSI FLANGE		
U	121 DIA.	4.8 DIA.
V	152 DIA.	6.0 DIA.
W	19 DIA.	0.8 DIA.

LW0199 REV. A

PUMP DATA

Specifications:

- Height..... 801 mm (31.5")
- Width..... 604 mm (23.8")
- Depth..... 371 mm (14.6")
- Ship Weight..... Polypropylene 40 kg (89 lb)
 PVDF 52 kg (115 lb)
- Air Inlet 3/4"
- Liquid Inlet..... 51 mm (2")
- Liquid Outlet..... 51 mm (2")

DIMENSIONS

ITEM	METRIC (mm)	STANDARD (inch)
A	597	23.5
B	92	3.6
C	417	16.4
D	724	28.5
E	151	5.9
F	801	31.5
G	807	31.8
H	48	1.9
J	177	7.0
K	371	14.6
L	480	18.9
M	405	16.0
N	419	16.5
P	356	14.0
R	205	8.1
S	231	9.1
T	14	0.6
DIN FLANGE		
U	125 DIA.	4.9 DIA.
V	165 DIA.	6.5 DIA.
W	18 DIA.	0.7 DIA.
ANSI FLANGE		
U	121 DIA.	4.8 DIA.
V	152 DIA.	6.0 DIA.
W	19 DIA.	0.8 DIA.

LW0200 REV. A



22069 Van Buren Street
 Grand Terrace, CA 92313-5607 USA

O: +1 (909) 422-1730 F: +1 (909) 783-3440
 www.psgdover.com



PS800 PLASTIC PUMP

PERFORMANCE

**PS800 PLASTIC
FULL-STROKE PTFE-FITTED**

Max. Flow Rate.....654 lpm (173 gpm)
 Max. Inlet Pressure8.6 bar (125 psig)
 Max. Solids Passage..... 6.4 mm (1/4")
 Max. Suction Lift.....5.7 m Dry (18.7")
 8.3 m Wet (27.2")

