

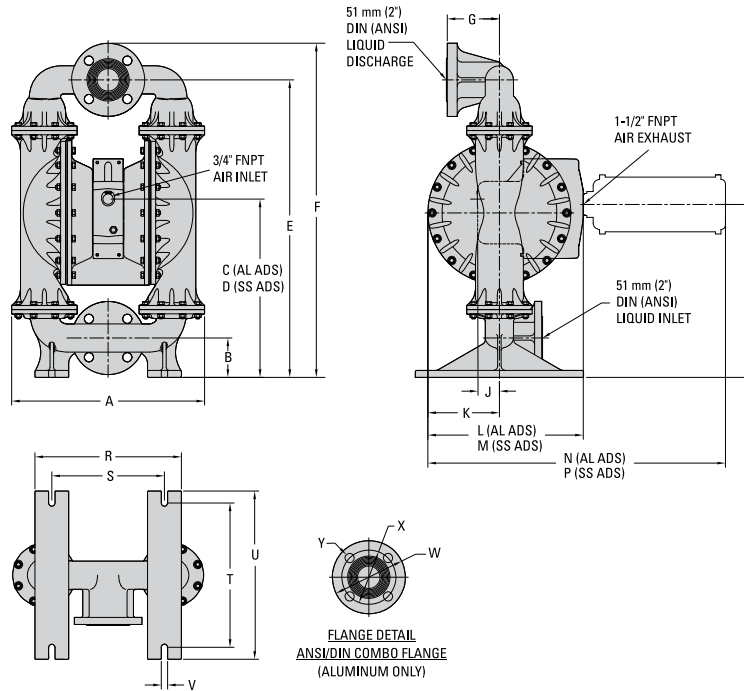
PS800 ADVANCED ALUMINUM PUMP

51 mm (2") Pump
Maximum Flow Rate:
704 lpm (186 gpm)



DIMENSIONAL DRAWING

PS800 Aluminum



DIMENSIONS

ITEM	METRIC (mm)	STANDARD (inch)
A	439	17.3
B	89	3.5
C	402	15.8
D	208	16.1
E	671	26.4
F	754	29.7
G	117	4.6
H	390	15.4
J	48	1.9
K	161	6.4
L	350	13.8
M	338	13.3
N	671	26.4
P	659	25.9
R	330	13.0
S	254	10.0
T	325	12.8
U	378	14.9
V	15	0.6
ANSI/DIN COMBO		
W	165 DIA	6.5 DIA
X	122 DIA	4.8 DIA
Y	20 DIA	0.8 DIA

LW0236 REV. B

PUMP DATA

Specifications:

Height 760 mm (29.9")
 Width 432 mm (17")
 Depth
 Aluminum ADS 350 mm (13.8")
 Stainless Steel ADS 338 mm (13.3")
 Est. Ship Weight.....
 Aluminum 38 kg (83 lbs)
 316 Stainless Steel 89 kg (195 lbs)
 Alloy C 107 kg (236 lbs)
 Air Inlet 3/4"
 Liquid Inlet..... 51 mm (2")
 Liquid Outlet..... 51 mm (2")

