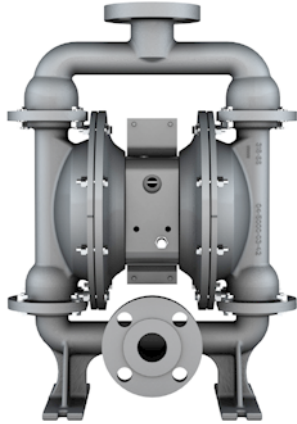


PS400 STAINLESS STEEL PUMP

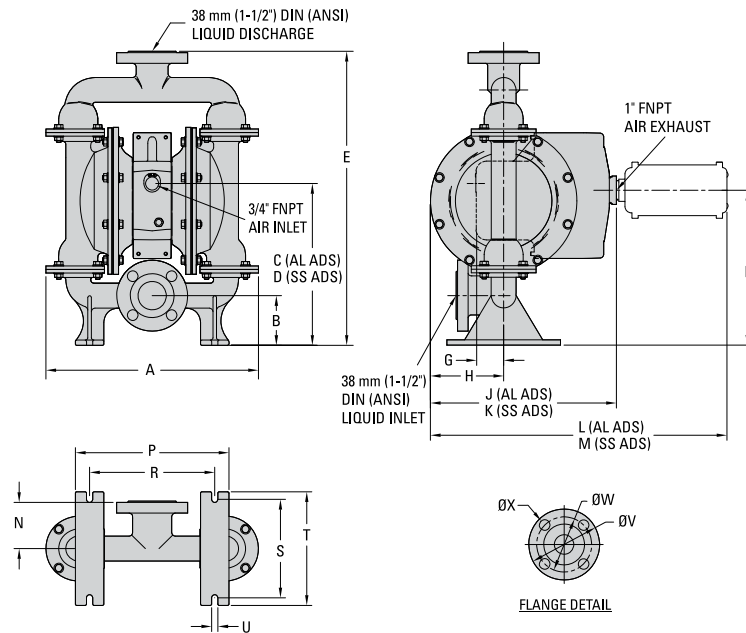
76 mm (1-1/2") Pump
Maximum Flow Rate:
348 lpm (92 gpm)



**PS400
STAINLESS STEEL**

DIMENSIONAL DRAWING

PS400 Stainless Steel



DIMENSIONS

ITEM	METRIC (mm)	STANDARD (inch)
A	381	15.0
B	89	3.5
C	289	11.4
D	295	11.6
E	530	20.8
F	277	10.9
G	48	1.9
H	131	5.2
J	333	13.1
K	320	12.6
L	530	20.9
M	518	20.4
N	83	3.3
P	275	10.8
R	224	8.8
S	176	7.0
T	203	8.0
U	11	0.4
	DIN (mm)	ANSI (inch)
V	150 DIA.	5.0 DIA.
W	10 DIA.	3.8 DIA.
X	18 DIA.	0.6 DIA.

LW0230 REV. B

PUMP DATA

Specifications:

Height..... 530 mm (20.8")
 Width..... 381 mm (15.1")
 Depth..... Aluminum ADS 320 mm (12.6")
 Stainless Steel ADS 308 mm (12.1")
 Ship Weight..... 43 kg (94 lb)
 Alloy C 45 kg (100 lb)
 Air Inlet 3/4"
 Liquid Inlet..... 38 mm (1-1/2")
 Liquid Outlet..... 38 mm (1-1/2")

PS400 STAINLESS STEEL PUMP

PERFORMANCE

PS400 STAINLESS STEEL
FULL-STROKE PTFE-FITTED

Max. Flow Rate.....348 lpm (92 gpm)
Max. Inlet Pressure8.6 bar (125 psig)
Max. Size Solids..... 4.8 mm (3/16")
Max. Suction Lift.....6.7 m Dry (22.1')
8.6 m Wet (28.4')

