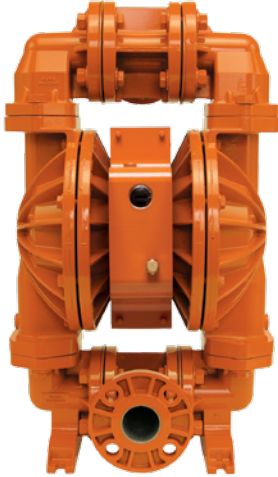


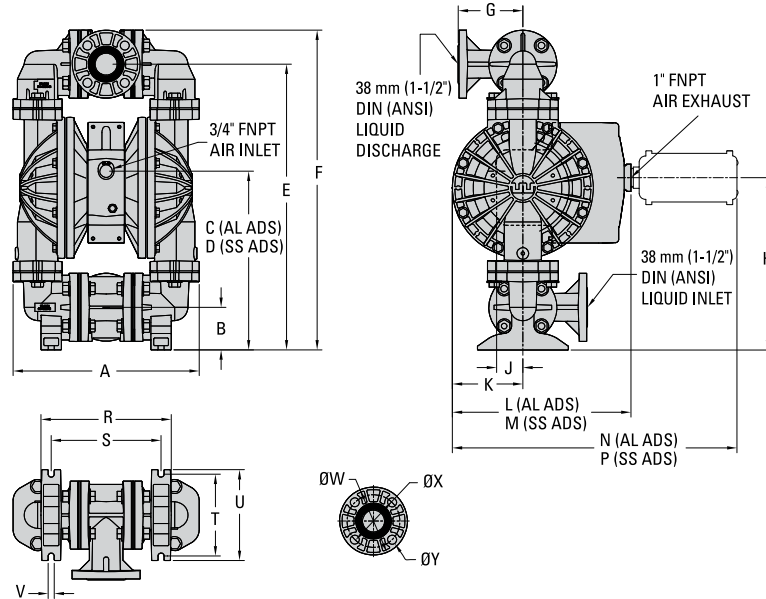
PS400 ADVANCED ALUMINUM PUMP

38 mm (1-1/2") Pump
Maximum Flow Rate:
443 lpm (117 gpm)



DIMENSIONAL DRAWING

PS400 Aluminum



DIMENSIONS

ITEM	METRIC (mm)	STANDARD (inch)
A	343	13.5
B	79	3.1
C	334	13.1
D	339	13.4
E	531	20.9
F	594	23.4
G	122	4.8
H	321	12.7
J	48	1.9
K	132	5.2
L	333	13.1
M	321	12.6
N	531	20.9
P	518	20.4
R	244	9.6
S	206	8.1
T	152	6.0
U	170	6.7
V	10	0.4
	DIN (mm)	ANSI (inch)
W	150 DIA.	5.0 DIA.
X	110 DIA.	3.9 DIA.
Y	18 DIA.	0.6 DIA.

LW0229 REV. B

PUMP DATA

Specifications:

Height..... 594 mm (23.4")
 Width..... 343 mm (13.5")
 Depth..... Aluminum ADS 321 mm (12.6")
 Stainless Steel ADS 308 mm (12.1")
 Est. Ship Weight.... Aluminum 33 kg (72 lbs)
 Air Inlet 3/4"
 Liquid Inlet..... 38 mm (1-1/2")
 Liquid Outlet..... 38 mm (1-1/2")

