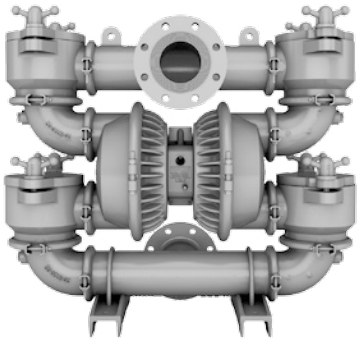


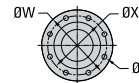
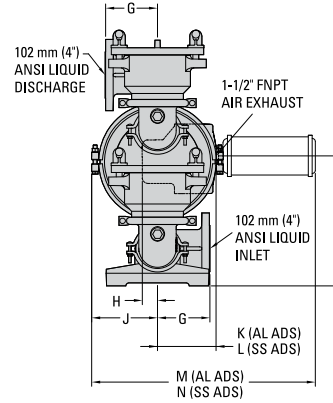
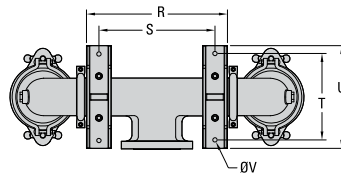
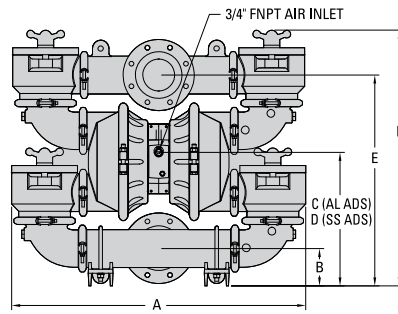
**PS20 METAL PUMP**

**102 mm (4") Pump**  
**Maximum Flow Rate:**  
**1,037 lpm (274 gpm)**



**DIMENSIONAL DRAWING**

**PS20 Metal**



**DIMENSIONS**

ITEM	METRIC (mm)	STANDARD (inch)
A	950	37.4
B	119	4.7
C	429	16.9
D	438	17.2
E	681	26.8
F	826	32.5
G	168	6.6
H	49	1.9
J	213	8.4
K	178	7.0
L	189	7.4
M	710	28.0
N	722	28.4
P	420	16.5
R	455	17.9
S	375	14.8
T	279	11.0
U	332	13.1
V	15 DIA.	0.6 DIA.
<b>ANSI FLANGE</b>		
W	231 DIA.	9.1 DIA.
X	191 DIA.	7.5 DIA.
Y	18 DIA.	0.7 DIA.

LW0142 REV. A

**PUMP DATA**

**Specifications:**

Height..... 826 mm (32.5")  
 Width..... 950 mm (37.4")  
 Depth..... Aluminum ADS 402 mm (15.8")  
                   Stainless Steel ADS 414 mm (16.3")  
 Ship Weight..... 223 kg (492 lb)  
 Air Inlet ..... 19 mm (3/4")  
 Liquid Inlet..... 102 mm (4")  
 Liquid Outlet..... 102 mm (4")

**PS20 METAL PUMP**

**PERFORMANCE**

**PS20 METAL  
FULL-STROKE PTFE-FITTED**

Max. Flow Rate.....953 lpm (252 gpm)  
 Max. Inlet Pressure .....8.6 bar (125 psig)  
 Max. Solids Passage.....35 mm (1-3/8")  
 Max. Suction Lift.....3.8 m Dry (12.7')  
   8.6 m Wet (28.4')

