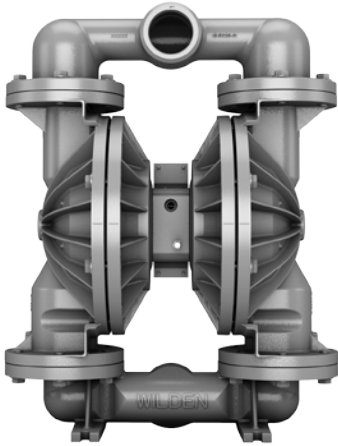
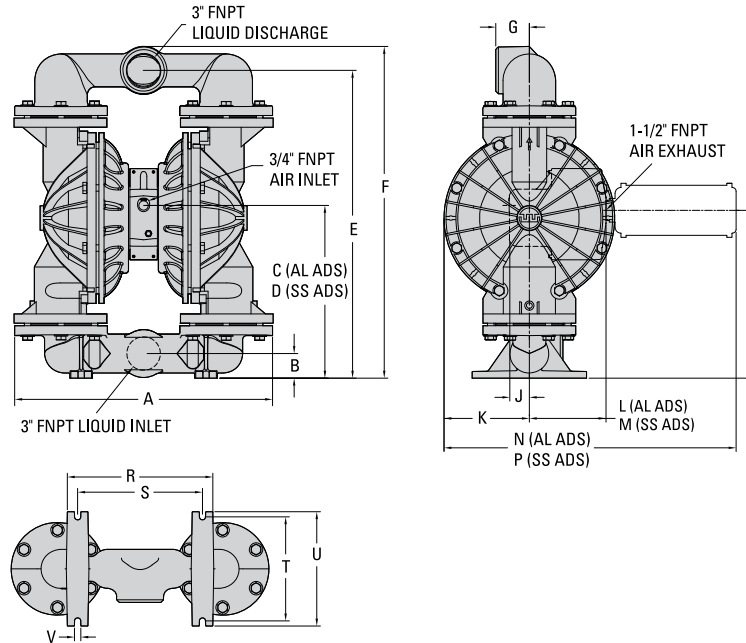


PS1520 ALUMINUM FIT PUMP

76 mm (3") Pump
Maximum Flow Rate:
1045 lpm (276 gpm)



DIMENSIONAL DRAWING



DIMENSIONS

ITEM	METRIC (mm)	STANDARD (inch)
A	635	25.0
B	61	2.4
C	426	16.8
D	432	17.0
E	759	29.9
F	818	32.2
G	84	3.3
H	414	16.3
J	48	1.9
K	211	8.3
L	189	7.4
M	177	7.0
N	720	28.4
P	708	27.9
R	358	14.1
S	307	12.1
T	257	10.1
U	282	11.1
V	15	0.6

LW0258 REV. A

PUMP DATA

Specifications:

Height..... 818 mm (32.2")
 Width..... 635 mm (25.0")
 Depth..... 421 mm (16.6")
 Ship Weight..... 69 kg (152 lbs)
 Air Inlet..... 3/4"
 Liquid Inlet..... 3"
 Liquid Outlet..... 3"

PS1520 ALUMINUM FIT PUMP

PERFORMANCE

[Click button to view Performance Curve →](#)

PS1520 ALUMINUM FULL-STROKE PTFE-FITTED

Max. Flow Rate.....977 lpm (258 gpm)
 Max. Inlet Pressure8.6 bar (125 psig)
 Max. Solids Passage..... 12.7 mm (1/2")
 Max. Suction Lift.....6.2 m Dry (20.2')
 8.6 m Wet (28.4')

