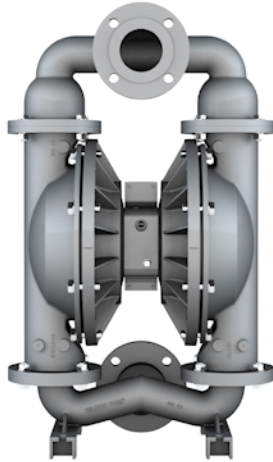


PS1500 STAINLESS STEEL PUMP

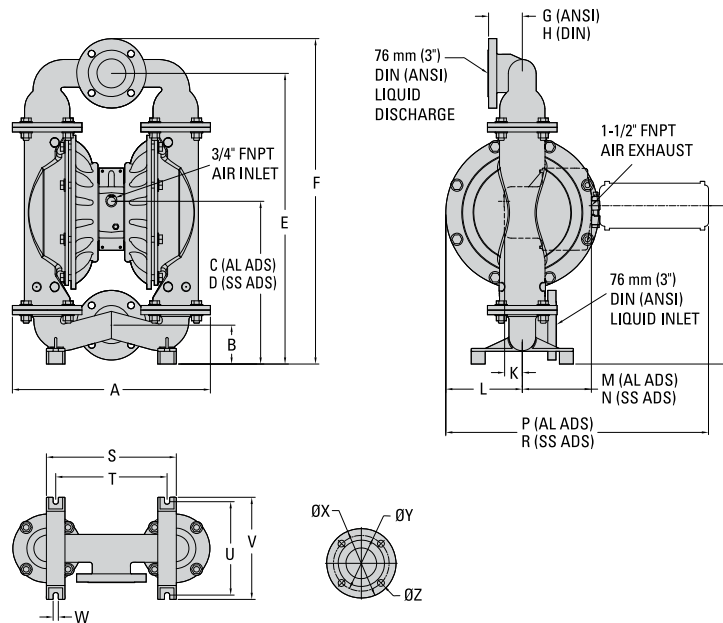
76 mm (3") Pump
Maximum Flow Rate:
939 lpm (248 gpm)



**PS1500
 STAINLESS STEEL**

DIMENSIONAL DRAWING

PS1500 Stainless Steel



DIMENSIONS

ITEM	METRIC (mm)	STANDARD (inch)
A	514	21.3
B	107	4.2
C	445	17.5
D	451	17.8
E	795	31.3
F	892	35.1
G	89	3.5
H	91	3.6
J	433	17.1
K	48	1.9
L	211	8.3
M	189	7.4
N	177	7.0
P	719	28.3
R	707	27.8
S	356	14.0
T	305	12.0
U	257	10.1
V	279	11.0
W	15	0.6
	DIN (mm)	ANSI (inch)
X	200 DIA.	7.5 DIA.
Y	160 DIA.	6.0 DIA.
Z	18 DIA.	0.8 DIA.

LW0257 REV. B

PUMP DATA

Specifications:

- Height..... 892 mm (35.1")
- Width..... 541 mm (23.3")
- Depth..... 419 mm (16.5")
- Ship Weight.... Stainless Steel 125 kg (275 lb)
 Alloy C 130 kg (278 lb)
- Air Inlet 3/4"
- Liquid Inlet..... 76 mm (3")
- Liquid Outlet..... 76 mm (3")

PS1500 STAINLESS STEEL PUMP

PERFORMANCE

**PS1500 STAINLESS STEEL
FULL-STROKE PTFE-FITTED**

Max. Flow Rate.....931 lpm (246 gpm)
 Max. Inlet Pressure8.6 bar (125 psig)
 Max. Size Solids..... 9.5 mm (3/8")
 Max. Suction Lift.....4.9 m Dry (19.5')
 8.6 m Wet (28.4')

