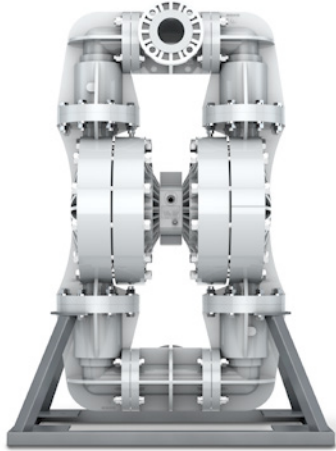


PS1500 PLASTIC PUMP

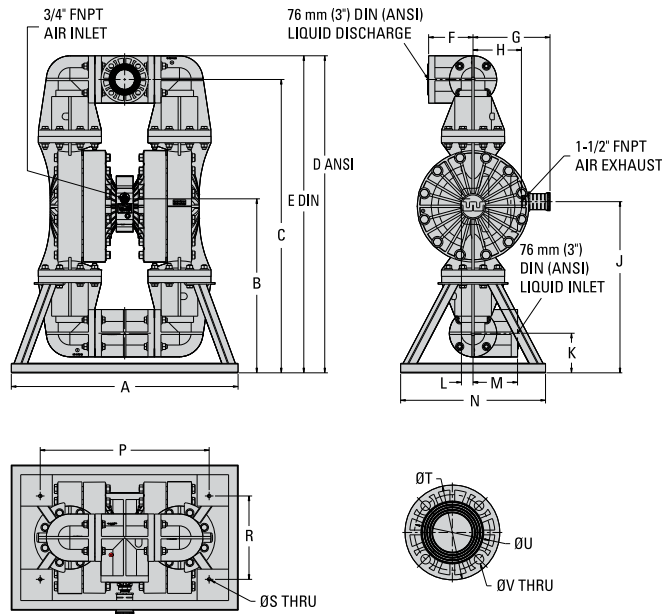
76 mm (3") Pump
Maximum Flow Rate:
1024 lpm (271 gpm)



PS1500 PLASTIC

DIMENSIONAL DRAWING

PS1500 Plastic



DIMENSIONS

ITEM	METRIC (mm)	STANDARD (inch)
A	914	36.0
B	702	27.6
C	1183	46.6
D	1279	50.3
E	1283	50.5
F	179	7.1
G	310	12.2
H	195	7.7
J	690	27.2
K	160	6.3
L	47	1.9
M	179	7.1
N	584	23.0
P	681	26.8
R	336	13.2
S	14	0.6
DIN FLANGE		
T	200 DIA.	7.9 DIA.
U	160 DIA.	6.3 DIA.
V	18 DIA.	0.7 DIA.
ANSI FLANGE		
T	191 DIA.	7.5 DIA.
U	152 DIA.	6.0 DIA.
V	19 DIA.	0.8 DIA.

LW0207 REV. A

PUMP DATA

Specifications:

Height..... 1279 mm (50.3")
 Width..... 914 mm (36.0")
 Depth..... 584 mm (23.0")
 Ship Weight..Polypropylene 125 kg (275 lb)
 PVDF 152 kg (335 lb)
 Air Inlet 3/4"
 Liquid Inlet..... 76 mm (3")
 Liquid Outlet..... 76 mm (3")

PERFORMANCE

**PS1500 PLASTIC
FULL-STROKE PTFE-FITTED**

Max. Flow Rate.....999 lpm (262 gpm)
 Max. Inlet Pressure PVDF 8.6 bar (125 psig)
 Polypropylene 6.9 bar (100 psig)
 Max. Solids Passage..... 12.7 mm (1/2")
 Max. Suction Lift.....5.8 m Dry (19.1")
 8.6 m Wet (28.4")

