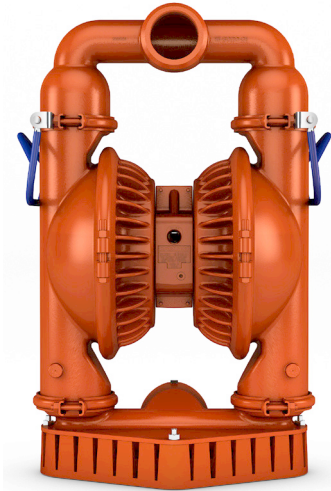


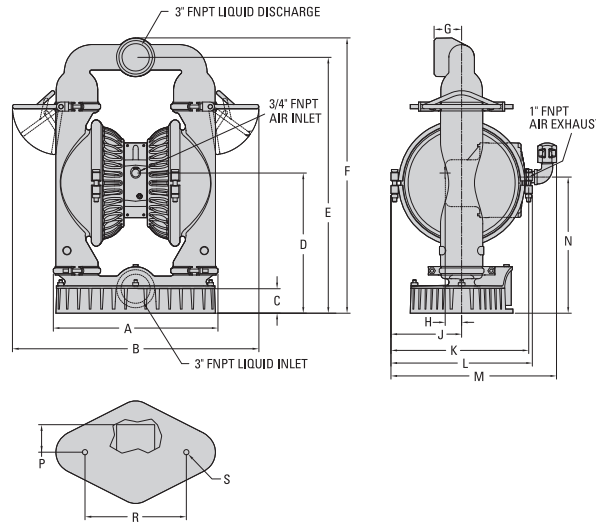
## PS15 STALLION® ORIGINAL™ METAL PUMP

**76 mm (3") Pump**  
**Maximum Flow Rate:**  
**764 lpm (202 gpm)**



### DIMENSIONAL DRAWING

#### PS15 Stallion Metal



### DIMENSIONS

ITEM	METRIC (mm)	STANDARD (inch)
A	495	19.5
B	742	29.2
C	74	2.9
D	422	16.6
E	770	30.3
F	828	32.6
G	84	3.3
H	48	1.9
J	213	8.4
K	414	16.3
L	424	16.7
M	498	19.6
N	409	16.1
P	84	3.3
R	305	12.0
S	15 DIA.	0.6 DIA.

LW0263 REV. B

### PUMP DATA

**Specifications:**

Height..... 828 mm (32.6")  
 Width..... 742 mm (29.2")  
 Depth..... 498 mm (19.6")  
 Ship Weight..... Aluminum 63 kg (138 lb)  
 Air Inlet ..... 19 mm (3/4")  
 Inlet..... 76 mm (3")  
 Outlet..... 76 mm (3")

## PS15 STALLION® ORIGINAL™ METAL PUMP

### PERFORMANCE

#### PS15 STALLION EZ-INSTALL TPE-FITTED

Max. Flow Rate..... 764 lpm (202 gpm)  
 Max. Inlet Pressure ..... 8.6 bar (125 psig)  
 Max. Size Solids ..... 25 mm (1")  
 Max. Suction Lift ..... 4.7 m Dry (15.3')  
    9.0 m Wet (29.5')

