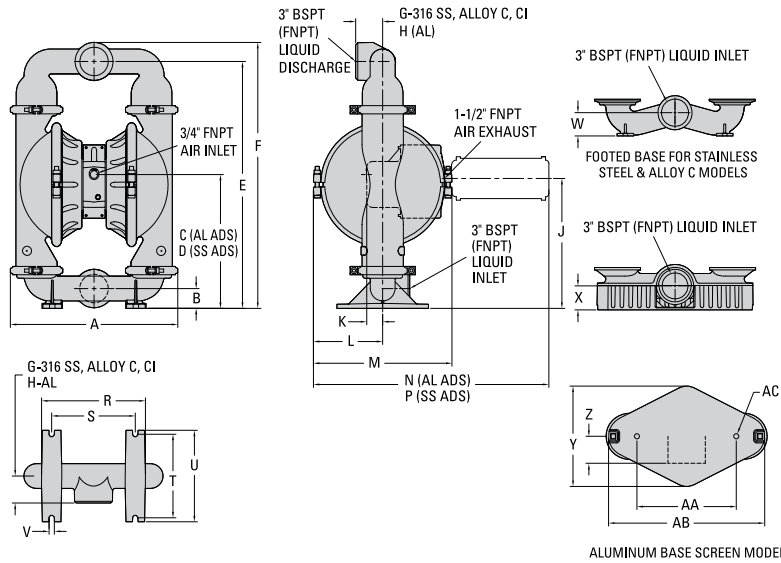


PS15 ORIGINAL METAL PUMP

76 mm (3") Pump
Maximum Flow Rate:
927 lpm (245 gpm)

DIMENSIONAL DRAWING

PS15 Metal



DIMENSIONS

ITEM	METRIC (mm)	STANDARD (inch)
A	514	20.2
B	61	2.4
C	411	16.2
D	416	16.4
E	758	29.8
F	816	32.1
G	70	2.8
H	83	3.3
J	399	15.7
K	49	1.9
L	213	8.4
M	425	16.7
N	722	28.4
P	710	28.0
R	319	12.5
S	307	12.1
T	257	10.1
U	281	11.1
V	16	0.6
W	71	2.8
X	74	2.9
Y	308	12.1
Z	83	3.3
AA	305	12.0
AB	480	18.9
AC	16 DIA.	0.6 DIA

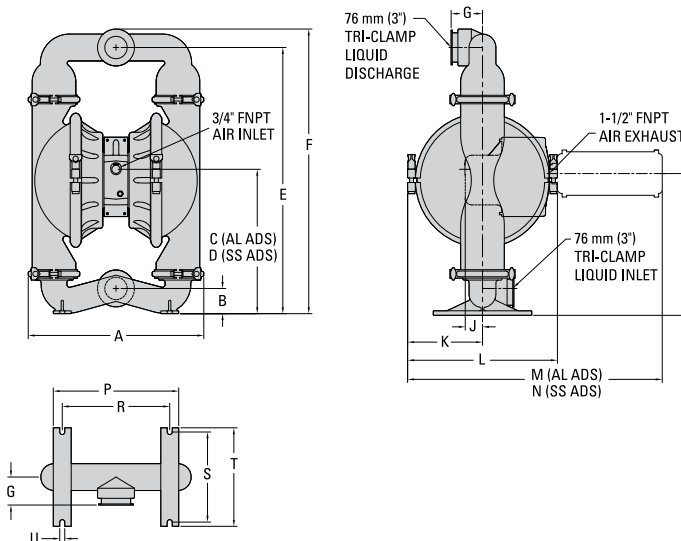
LW0254 REV. B

PUMP DATA

Specifications:

Height815 mm (32.1")
 Width513 mm (20.2")
 Depth424 mm (16.7")
 Est. Ship Weight.....
 Aluminum 55 kg (121 lbs)
 316 Stainless Steel 105 kg (230 lbs)
 Cast Iron 93 kg (205 lbs)
 Air Inlet3/4"
 Liquid Inlet.....3"
 Liquid Outlet.....3"

PS15 Metal Saniflo™



DIMENSIONS

ITEM	METRIC (mm)	STANDARD (inch)
A	521	20.5
B	71	2.8
C	409	16.1
D	414	16.3
E	767	30.2
F	810	31.9
G	89	3.5
H	401	15.8
J	48	1.9
K	216	8.5
L	424	16.7
M	722	28.4
N	709	27.9
P	356	14.0
R	305	12.0
S	257	10.1
T	279	11.0
U	15 DIA.	0.6 DIA.

LW0255 REV. A

22069 Van Buren Street
 Grand Terrace, CA 92313-5607 USA

O: +1 (909) 422-1730 F: +1 (909) 783-3440
 www.psgdover.com

a DOVER company
 psgdover.com

PS15 ORIGINAL METAL PUMP

PERFORMANCE

PS15 METAL EZ-INSTALL TPE-FITTED

Max. Flow Rate 901 lpm (238 gpm)
 Max. Inlet Pressure 8.6 bar (125 psi)
 Max. Solids Passage..... 9.5 mm (3/8")
 Max. Suction Lift..... 6.3 m Dry (20.7')
 8.6 m Wet (28.4')

