

PS420/PS430 STAINLESS STEEL FIT PUMP

38 mm (1-1/2") Pump
Maximum Flow Rate:
507 lpm (134 gpm)

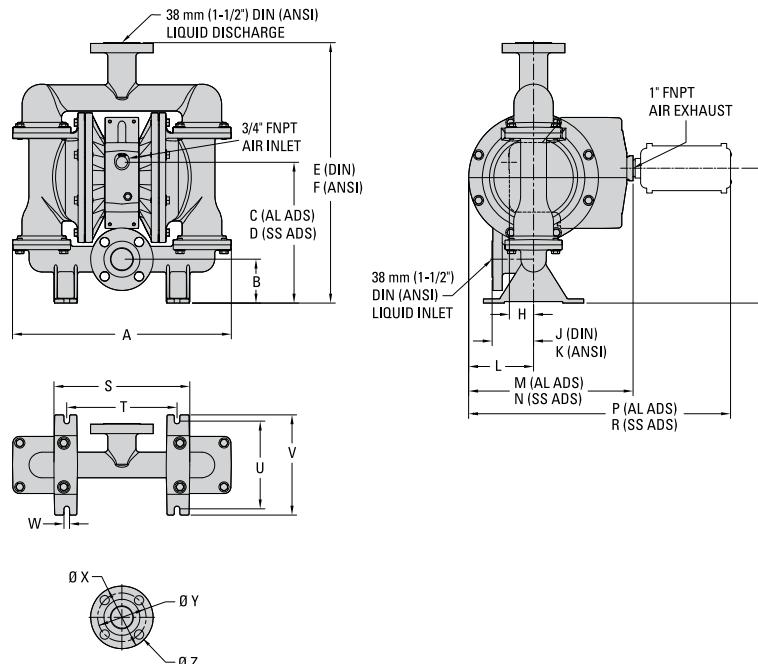
DIMENSIONAL DRAWING

PUMP DATA

Specifications:

Height..... 420 Threaded 429 mm (16.9")
 430 Flanged 528 mm (20.8")
 Width..... 442 mm (17.4")
 Depth..... Aluminum ADS 321 mm (12.6")
 Stainless Steel ADS 308 mm (12.1")
 Ship Weight.... 420 Threaded 50 kg (111 lb)
 430 Flanged 53 kg (116 lb)
 Air Inlet 3/4"
 Flanged Inlet 38 mm (1-1/2")
 Flanged Outlet..... 38 mm (1-1/2")
 Threaded Inlet..... 1-1/2"
 Threaded Outlet..... 1-1/4"

PS430 Stainless Steel



DIMENSIONS

ITEM	METRIC (mm)	STANDARD (inch)
A	443	17.5
B	89	3.5
C	285	11.2
D	291	11.5
E	529	20.8
F	528	20.8
G	273	10.8
H	49	1.9
J	86	3.4
K	84	3.3
L	132	5.2
M	333	13.1
N	321	12.6
P	531	20.9
R	518	20.4
S	274	10.8
T	224	8.8
U	178	7.0
V	203	8.0
W	11	0.4
	DIN (mm)	ANSI (Inch)
X	150 DIA.	5.0 DIA.
Y	109 DIA.	4.3 DIA.
Z	16 DIA.	0.6 DIA.

LW0233 REV. B

WILDEN®

22069 Van Buren Street
 Grand Terrace, CA 92313-5607 USA

O: +1 (909) 422-1730 F: +1 (909) 783-3440
 www.psgdover.com

PSG
 a DOVER company
 psgdover.com

PS420/PS430 STAINLESS STEEL FIT PUMP

PERFORMANCE

PS420/PS430 STAINLESS STEEL FULL-STROKE PTFE-FITTED

Max. Flow Rate 485 lpm (128 gpm)
 Max. Inlet Pressure 8.6 bar (125 psig)
 Max. Solids Passage 6.4 mm (1/4")
 Max. Suction Lift 3.5 m Dry (11.4')
 9.0 m Wet (29.5')

