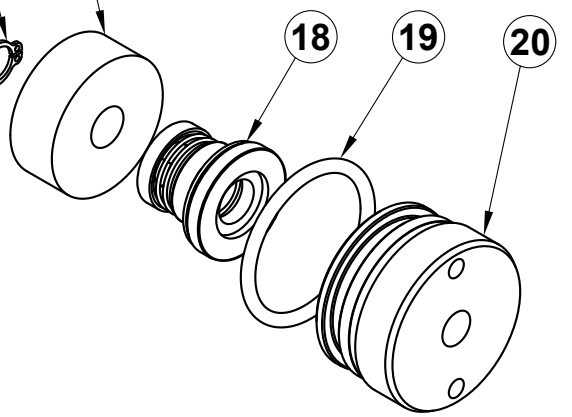
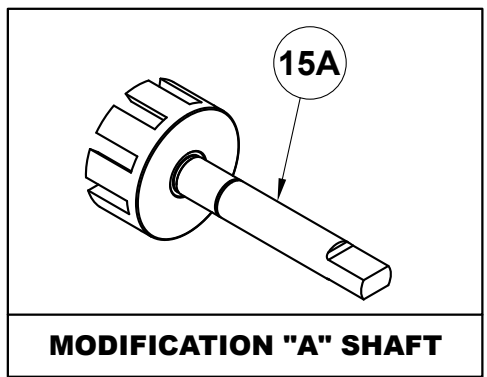
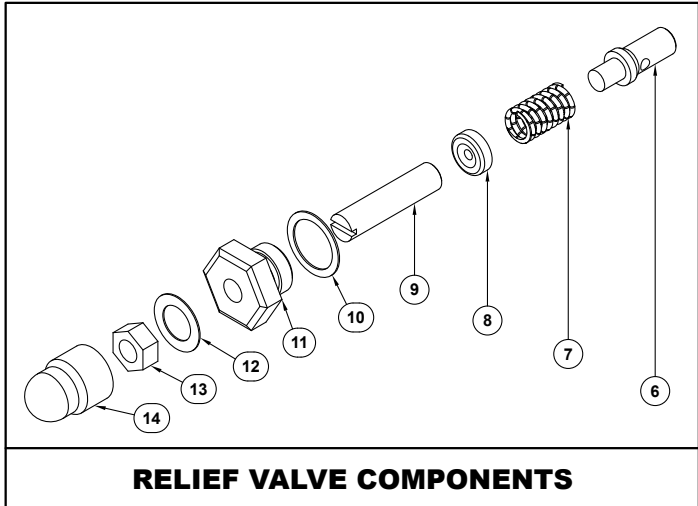
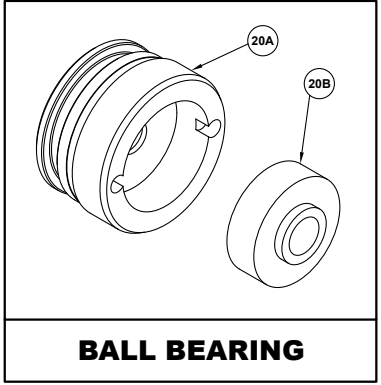
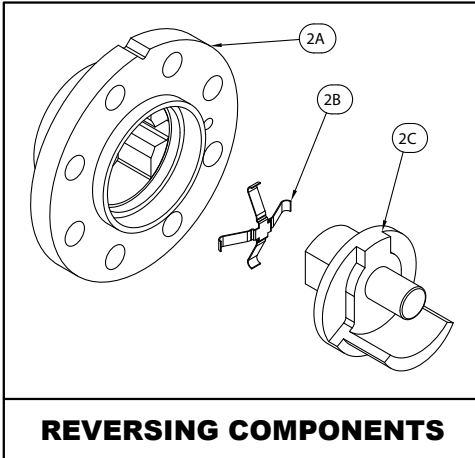
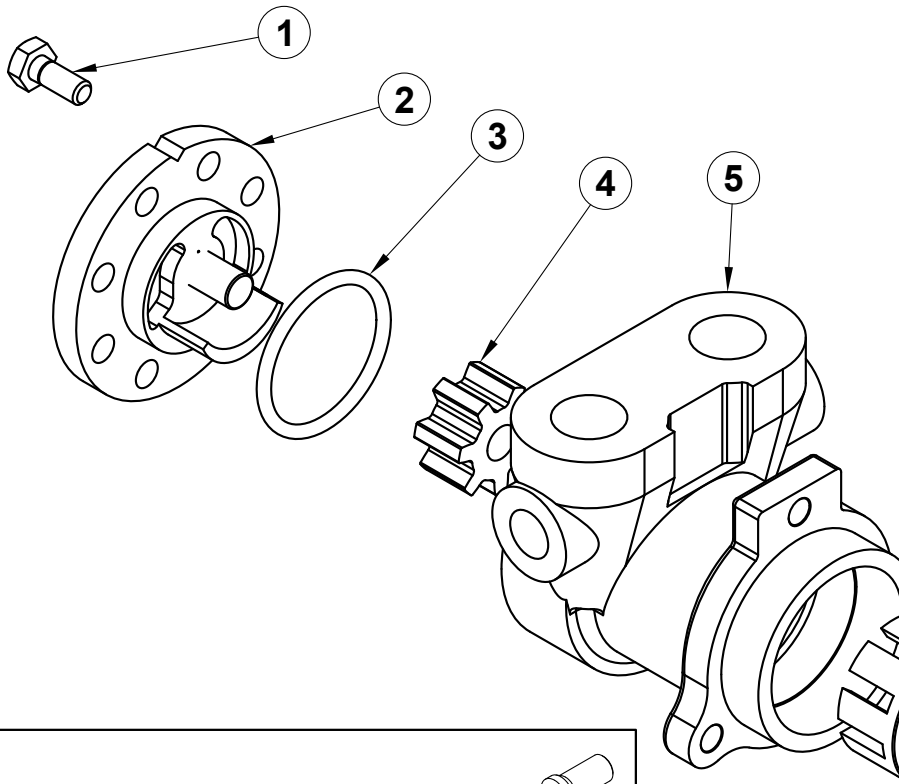


**Table of Contents**

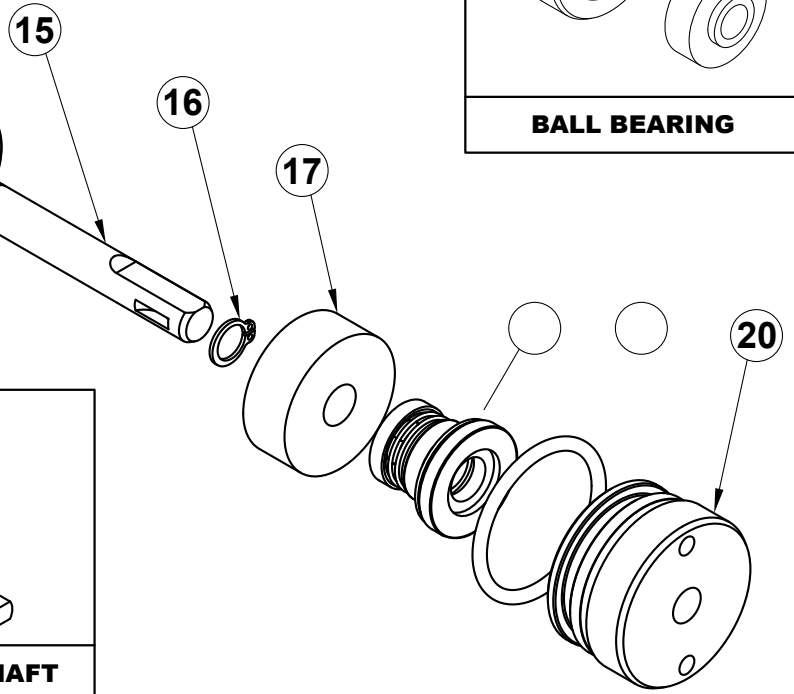
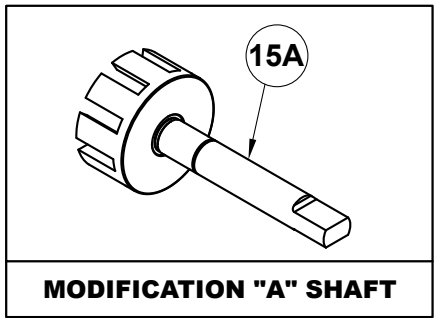
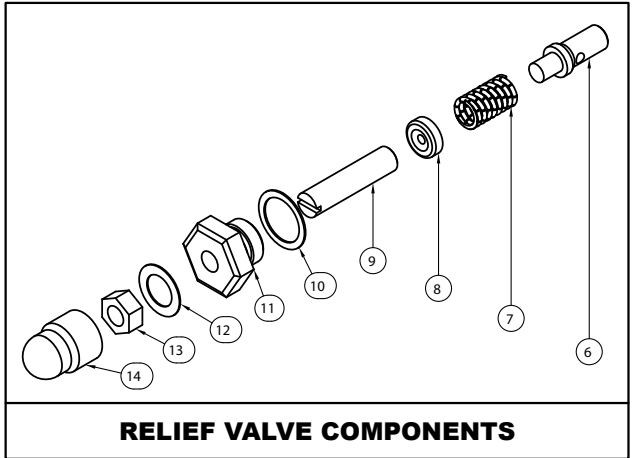
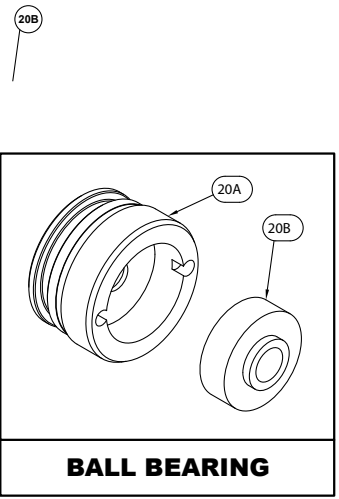
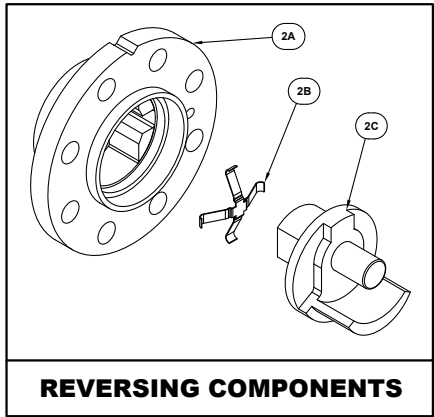
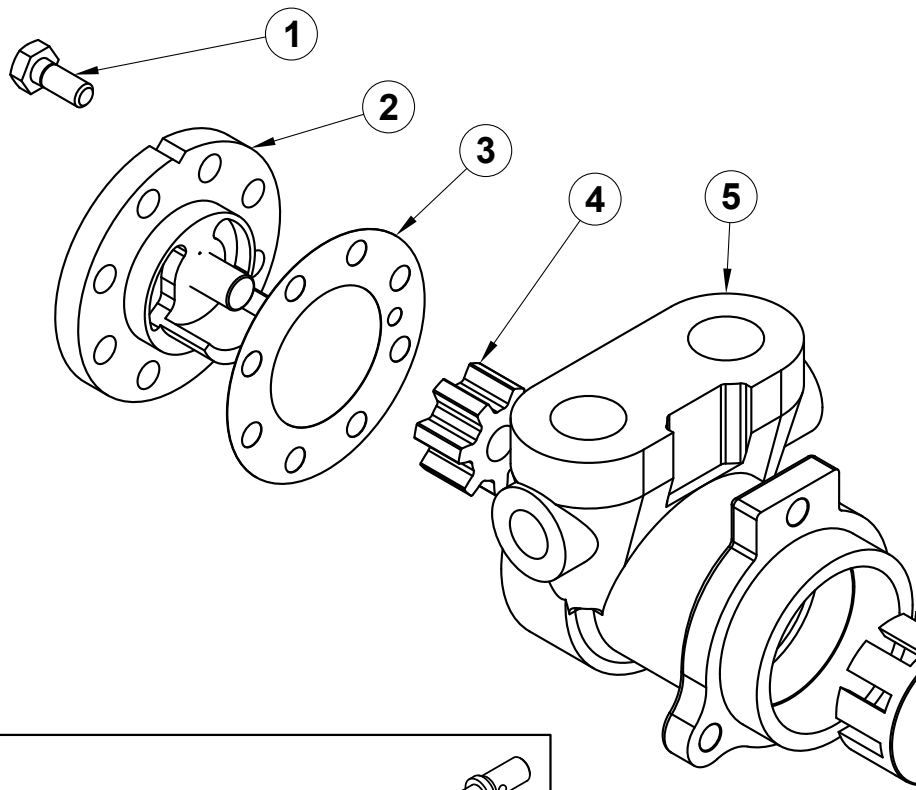
30LE Pump.....	<b>3</b>	5LE Relief Valve Option.....	<b>10</b>
30LE Relief Valve Option.....	<b>3</b>	5LE Ball Bearing Option.....	<b>10</b>
30LE Ball Bearing Option.....	<b>3</b>		
00LE Pump.....	<b>5</b>		
00LE Relief Valve Option.....	<b>5</b>		
00LE Ball Bearing Option.....	<b>5</b>		
0LE Pump.....	<b>6</b>		
0LE Relief Valve Option.....	<b>6</b>		
0LE Ball Bearing Option.....	<b>6</b>		
0LE Reversing Feature Option.....	<b>6</b>		
1LE Pump.....	<b>7</b>		
1LE Relief Valve Option.....	<b>7</b>		
1LE Ball Bearing Option.....	<b>7</b>		
1LE Reversing Feature Option.....	<b>7</b>		
2LE Pump.....	<b>8</b>		
2LE Relief Valve Option.....	<b>8</b>		
2LE Ball Bearing Option.....	<b>8</b>		
2LE Reversing Feature Option.....	<b>8</b>		
5LE Pump & Options.....	<b>10</b>		



<b>30LE Pump</b>		
<b>Item</b>	<b>Part Number</b>	<b>Description</b>
1	P100-1-H	screw (5)
2	30L6	cover assembly
	30L31	pin
3	P701-197-77	standard Viton O ring
	P701-197-57	optional Neoprene O ring
	P701-197-87	optional EPR O ring
4	30L32-PPS	idler gear (LE)
5	30LE20	housing (LE)
	30LEV20-C	housing (LEV)
	30LEV20-CC	housing (LEV)
15	30LE24	rotor
15a	30LE24-A	modification "A" rotor
16	P206-34	retaining ring
17	30LA71	bushing
18	1LA9-7	standard Viton seal
	1LA9-5	optional Neoprene seal
	1LA9-8	optional EPR seal
19	P701-34-77	standard Viton O ring
	P701-34-57	optional Neoprene O ring
	P701-34-87	optional EPR O ring
20	1LA11	housing plug (LE)

<b>30LE Relief Valve Option</b>		
<b>Item</b>	<b>Part Number</b>	<b>Description</b>
6	0LV58-X201	plunger
7	0LWW63	standard spring (55-120)
	0C62-X201	optional spring (30-34)
	0C62-X299	optional spring (35-54)
	0LWWH63	optional spring (121-169)
	0LPV63	optional spring (170-374)
	0LV63X	optional spring (375-500)
8	30EN92	retainer
9	P103-11	adjusting screw
10	30F64-X201	valve cap gasket
11	0LWW56	valve cap gasket
12	30LE64-A	cap cover gasket
13	30LE528	nut
14	30LE56	acorn nut

<b>30LE Ball Bearing Option</b>		
<b>Item</b>	<b>Part Number</b>	<b>Description</b>
20a	1LAK37	housing plug (LEK)
20b	0LK511-E	ball bearing (LEK)



<b>00LE Pump</b>		
<b>Item</b>	<b>Part Number</b>	<b>Description</b>
1	P100-21-H	screw (LE) (8)
	P105-77-H	screw (RLE) (8)
2	00L6	cover assembly (LE)
	1M31	pin
3	0B34-.002	gasket (LE)
	0B34-.005	gasket (LE)
	0B34-.001	gasket (LEH)
	0B34-.005	gasket (LEH)
	0B34-MX429	gasket (RLE)
4	00B32-1	idler gear (LE)
	00B32	idler gear (LEH)
5	0RLE20	housing (LE)
	0RLEV20-RH	housing (LEV)
	0RLEV2--LH	housing (LEV)
15	00LE24	rotor (LE/LEH))
	00RLE24	rotor (RLE)
15a	00LE24-A	modification "A" rotor
	00RLE24-A	modification "A" rotor
16	P206-34	retaining ring
17	1LA71	bushing
18	1LA9-7	standard Viton seal
	1LA9-5	optional Neoprene seal
	1LA9-8	optional EPR seal
19	P701-34-77	standard Viton O ring
	P701-34-57	optional Neoprene O ring
	P701-34-87	optional EPR O ring
20	1LA11	housing plug (LE)

<b>00LE Relief Valve Option</b>		
<b>Item</b>	<b>Part Number</b>	<b>Description</b>
6	0LV58-X201	plunger
7	0LWV63	standard spring (55-120)
	0C62-X201	optional spring (25-34)
	0C62-X299	optional spring (35-54)
	0LWVH63	optional spring (121-169)
	0LPV63	optional spring (170-374)
	0LV63X	optional spring (375-500)
8	30EN92	retainer
9	P103-11	adjusting screw
10	30F64-X201	valve cap gasket
11	0LWV56	valve cap gasket
12	30LE64-A	cap cover gasket
13	30LE528	nut
14	30LE56	acorn nut

<b>00LE Ball Bearing Option</b>		
<b>Item</b>	<b>Part Number</b>	<b>Description</b>
20a	1LAK37	housing plug (LEK)
20b	0LK511-E	ball bearing (LEK)

<b>OLE Pump</b>		
<b>Item</b>	<b>Part Number</b>	<b>Description</b>
1	P100-21-H	screw (LE) (8)
	P105-77-H	screw (RLE) (8)
2	0L6	cover assembly (LE)
3	0B34-.002	gasket
	0B34-.005	gasket (LE)
	0B34-.001	gasket (LEH)
	0B34-.005	gasket (LEH)
	0B34-MX429	gasket (RLE)
4	0B32-1	idler gear (LE)
	0B32	idler gear (LEH)
5	0RLE20	housing (LE)
	0RLEV20-RH	housing (LEV)
	0RLEV20-LH	housing (LEV)
	0RLE20	housing (RLE)
15	0LE24	rotor (LE/LEH))
15a	0LE24-A	modification "A" rotor
16	P206-34	retaining ring
17	1LA71	bushing
18	1LA9-7	standard Viton seal
	1LA9-5	optional Neoprene seal
	1LA9-8	optional EPR seal
19	P701-34-77	standard Viton O ring
	P701-34-57	optional Neoprene O ring
	P701-34-87	optional EPR O ring
20	1LA11	housing plug (LE)

<b>OLE Relief Valve Option</b>		
<b>Item</b>	<b>Part Number</b>	<b>Description</b>
6	0LV58-X201	plunger
7	0LWV63	standard spring (55-120)
	0C62-X201	optional spring (25-34)
	0C62-X299	optional spring (35-54)
	0LWVH63	optional spring (121-169)
	0LPV63	optional spring (170-374)
	0LV63X	optional spring (375-500)
8	30EN92	retainer
9	P103-11	adjusting screw
10	30F64-X201	valve cap gasket
11	0LWV56	valve cap gasket
12	30LE64-A	cap cover gasket
13	30LE528	nut
14	30LE56	acorn nut

<b>OLE Ball Bearing Option</b>		
<b>Item</b>	<b>Part Number</b>	<b>Description</b>
20a	1LAK37	housing plug (LEK)
20b	0LK511-E	ball bearing (LEK)

<b>OLE Reversing Feature Option</b>		
<b>Item</b>	<b>Part Number</b>	<b>Description</b>
2a	0RL35	cover (RLE)
2b	1R80-A	spring (RLE)
2c	0RF6	carrier assembly (RLE)
	1M31	pin

<b>1LE Pump</b>		
<b>Item</b>	<b>Part Number</b>	<b>Description</b>
1	P100-21-H	screw (LE) (8)
	P105-77-H	screw (RLE) (8)
2	1L6	cover assembly (LE)
3	0B34-.005	gasket (LE)
	0B34-.001	gasket (LEH)
	0B34-.005	gasket (LEH)
	0B34-MX429	gasket (RLE)
4	1L32-1	idler gear (LE)
	1L32	idler gear (LEH)
5	1RLE20	housing (LE)
	1RLEV20-RH	housing (LEV)
	1RLEV20-LH	housing (LEV)
15	1LE24	rotor (LE/LEH))
	1RLE24	rotor (RLE)
15a	1LE24-A	modification "A" rotor
	1RLE24-A	modification "A" rotor
16	P206-34	retaining ring
17	1LA71	bushing
18	1LA9-7	standard Viton seal
	1LA9-5	optional Neoprene seal
	1LA9-8	optional EPR seal
19	P701-34-77	standard Viton O ring
	P701-34-57	optional Neoprene O ring
	P701-34-87	optional EPR O ring
20	1LA11	housing plug (LE)

<b>1LE Relief Valve Option</b>		
<b>Item</b>	<b>Part Number</b>	<b>Description</b>
6	0LV58-X201	plunger
7	0LWV63	standard spring (55-120)
	0C62-X201	optional spring (25-34)
	0C62-X299	optional spring (35-54)
	0LWVH63	optional spring (121-169)
	0LPV63	optional spring (170-374)
	0LV63X	optional spring (375-500)
8	30EN92	retainer
9	P103-11	adjusting screw
10	30F64-X201	valve cap gasket
11	0LWV56	valve cap
12	30LE64-A	cap cover gasket
13	30LE528	nut
14	30LE56	acorn nut

<b>1LE Ball Bearing Option</b>		
<b>Item</b>	<b>Part Number</b>	<b>Description</b>
20a	1LAK37	housing plug (LEK)
20b	0LK511-E	ball bearing (LEK)

<b>1LE Reversing Feature Option</b>		
<b>Item</b>	<b>Part Number</b>	<b>Description</b>
2a	0RL35	cover (RLE)
2b	1R80-A	spring (RLE)
2c	1RF6	carrier assembly (RLE)
	1L31	pin

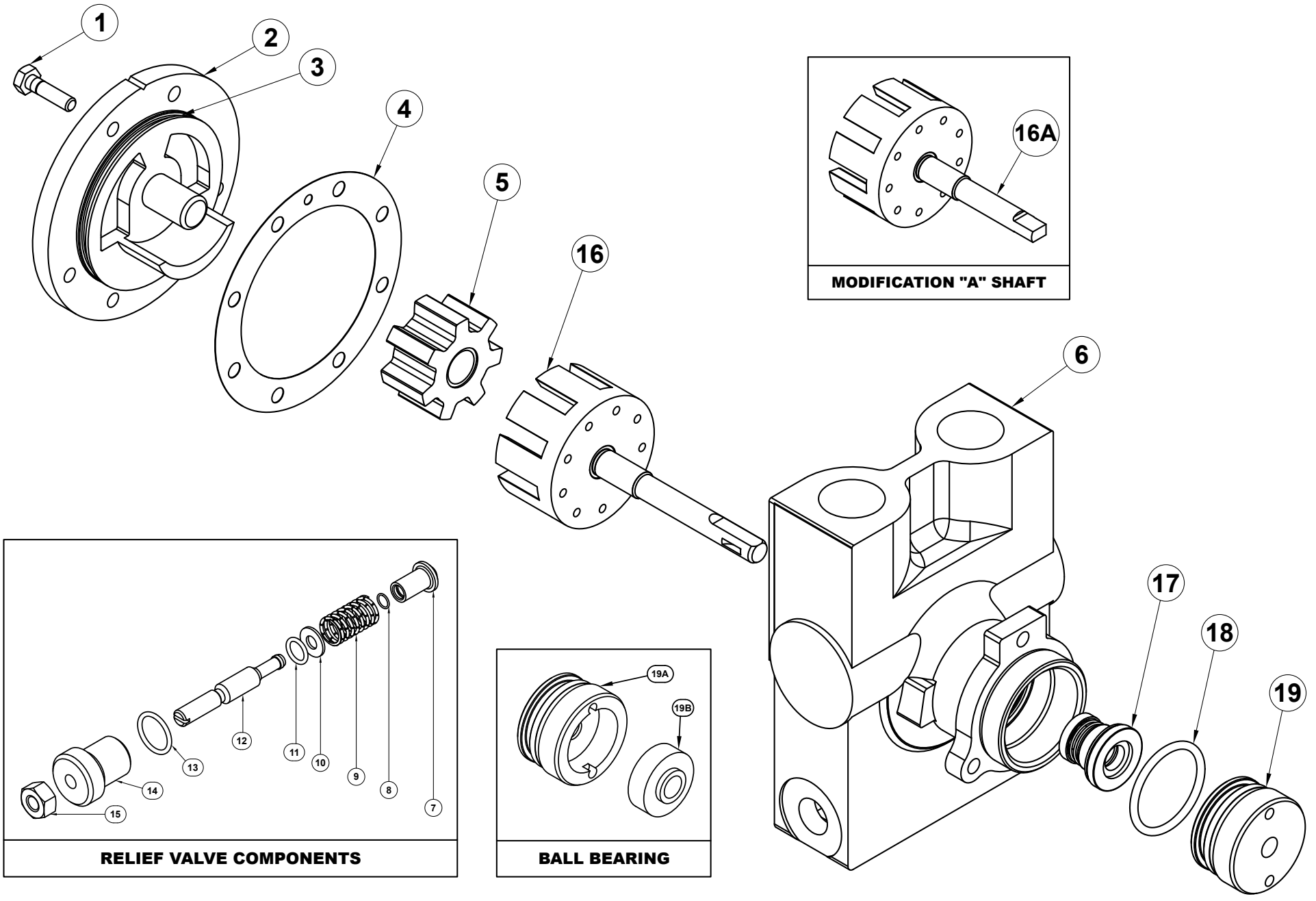
<b>2LE Pump</b>		
<b>Item</b>	<b>Part Number</b>	<b>Description</b>
1	P101-3-H	screw (6)
2	2L6	cover assembly (LE)
3	2RFD34-.013	gasket (RLE)
4	2L32-1	idler gear (LE)
	2L5	idler assembly (LEH)
	2L33	bushing
5	2RLE2	housing assembly (LE)
	2RLEV2-RH	housing assembly (LEV)
	2RLEV2-LH	housing assembly (LEV)
	1MR71	housing bushing only
15	2LE24	rotor
15a	2LE24-A	modification "A" rotor
		retaining ring
17	1MR71	housing bushing only
18	1LA9-7	standard Viton seal
	1LA9-5	optional Neoprene seal
	1LA9-8	optional EPR seal
19	P701-34-77	standard Viton O ring
	P701-34-57	optional Neoprene O ring
	P701-34-87	optional EPR O ring
20	1LA11	housing plug (LE)

<b>2LE Relief Valve Option</b>		
<b>Item</b>	<b>Part Number</b>	<b>Description</b>
6	0LV58-X201	plunger
7	0LWV63	standard spring (55-120)
	0C62-X201	optional spring (25-34)
	0C62-X299	optional spring (35-54)
	0LWVH63	optional spring (121-169)
	0LPV63	optional spring (170-374)
	0LV63X	optional spring (375-500)
8	30EN92	retainer
9	P103-11	adjusting screw
10	30F64-X201	valve cap gasket
11	0LWV56	valve cap
12	30LE64-A	cap cover gasket
13	30LE528	nut
14	30LE56	acorn nut

<b>2LE Ball Bearing Option</b>		
<b>Item</b>	<b>Part Number</b>	<b>Description</b>
20a	1LAK37	housing plug (LEK)
20b	0LK511-E	ball bearing (LEK)

<b>2LE Reversing Feature Option</b>		
<b>Item</b>	<b>Part Number</b>	<b>Description</b>
2a	2RL35	cover (RLE)
2b	1R80-A	spring (RLE)
2c	2RL6	carrier assembly (RLE)
	2L31	pin





5LE Pump & Options		
Item	Part Number	Description
1	P100-6-H	screw (6)
	P802-5	lockwasher (6)
2	5LE6	cover assembly
	2R31	pin
3	P701-173-77	standard Viton O ring
	P701-173-57	optional Neoprene O ring
	P701-173-88	optional EPR O ring
4	2M34-.005	gasket
5	5LE5-1	idler gear
6	5LE2-8350	housing assembly (LE)
	5LEV2-C-8350	housing assy (LEV)
	5LEV2-CC-8350	housing assy (LEV)
	5LE71-8350	housing bushing
16	5LE24	rotor
16a	5LE24-A	rotor
	1LA9-7	standard Viton seal
	1LA9-5	optional Neoprene seal
17	1LA9-8	optional EPR seal
	P701-34-77	standard Viton O ring
	P701-34-57	optional Neoprene O ring
18	P701-34-87	optional EPR O ring
	1LA11	housing plug (LE)

5LE Relief Valve Option		
Item	Part Number	Description
7	5LEV58	plunger
8	5LEV77	retainer
9	P615-14	standard spring (40-70)
	5LE63	optional spring (70-225)
10	P800-9	valve cap gasket
11	P701-14-77	standard Viton O ring
	P701-14-57	optional Neoprene O ring
	P701-14-87	optional EPR O ring
12	5LEV527	adjusting screw
13	P701-129-77	standard Viton O ring
	P701-129-57	optional Neoprene O ring
	P701-129-87	optional EPR O ring
14	5LEV56	plug
15	30LE528	nut

5LE Ball Bearing Option		
Item	Part Number	Description
19a	1LAK37	housing plug (LEK)
19b	0LK511-E	ball bearing (LEK)

## Tuthill Pump Group

12500 S. Pulaski Road, Alsip, IL 60803

[www.tuthillpump.com](http://www.tuthillpump.com)

Excellence at work. Excellence in life.