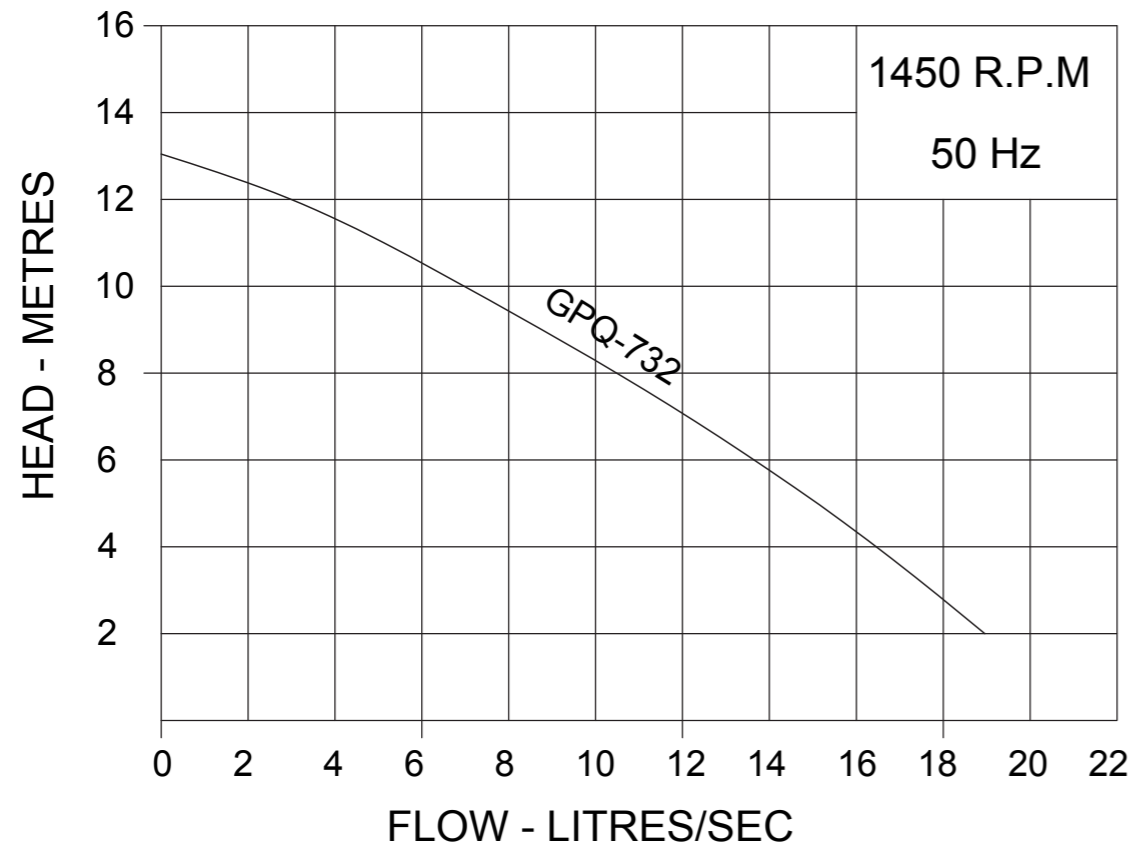


SUBMERSIBLE PUMPS

GPQ SERIES

Grinder Pump



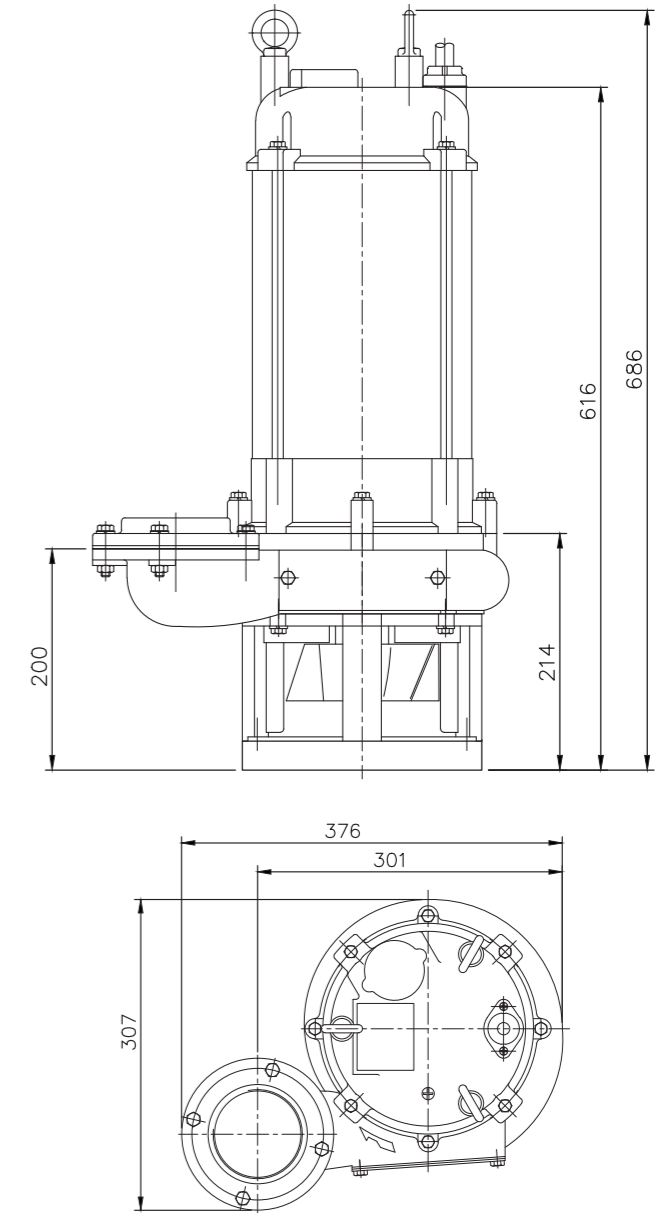
FEATURES
Hardened stainless steel grinder & impeller
Double mechanical seal in oil bath
Thermal overload protection
Thermal overload protection
High flow rate
Easy access for cleaning

APPLICATIONS
Food waste processing
Raw sewage
Abattoirs
Solids laden liquid discharge
Industrial waste



DIMENSIONS

GPQ SERIES



POWER	PHASE	VOLT	MOTOR SPEED	CURRENT	FREQ	CABLE LENGTH	OUTLET	MAX HEAD	MAX FLOW	WEIGHT
5.5 kW	3 PH	415 V	1440 RPM	11.0 AMPS	50 Hz	10 m	3 inch (80mm)	13 m	18.5 L/S	83.5 kg