

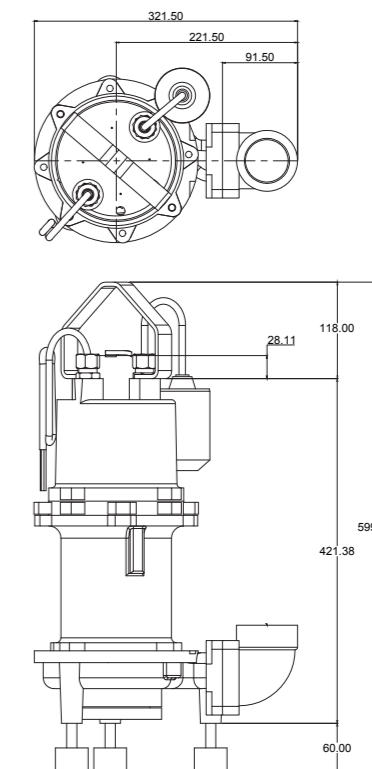
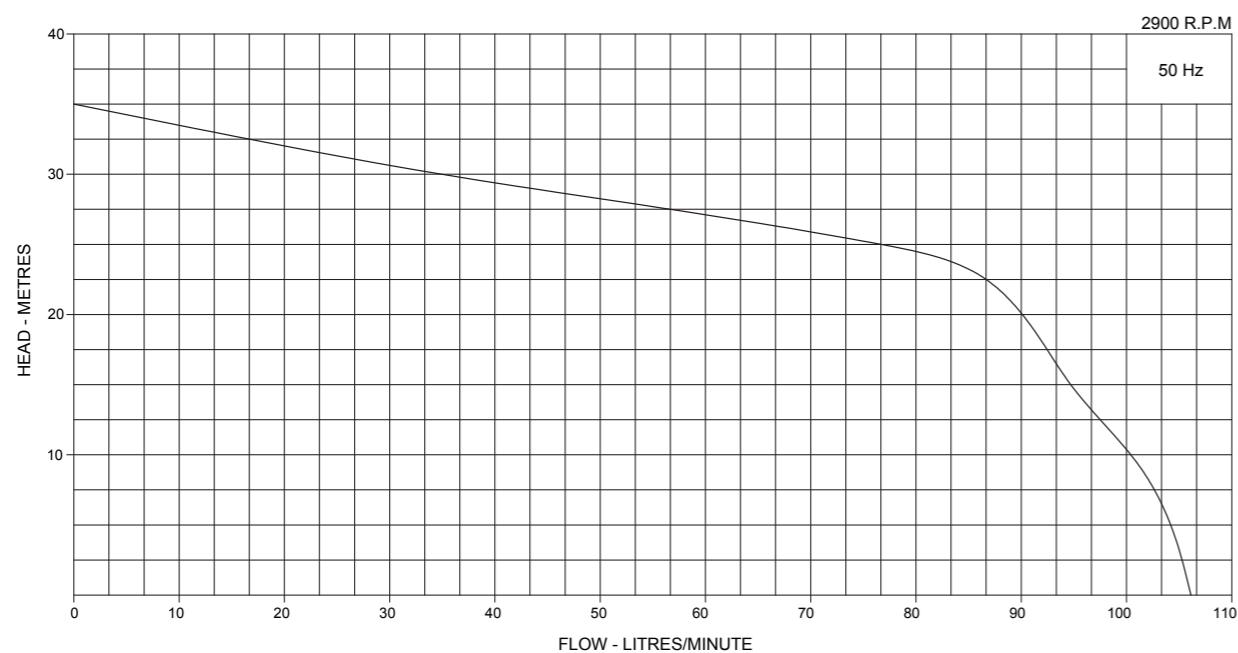
SUBMERSIBLE PUMPS

GGP1 SERIES



DIMENSIONS

GGP1 SERIES



CUTTER ASSEMBLY

Hardened 440 SST (56-60 Rockwell) shredding ring and grinding impeller.	Ductile iron casting for superior quality and longlife
8,300 cuts/second 1/2 million cuts/minute	Recessed impeller provides non-overloading performance.
Recessed design prevents clogging	

MOTOR

Capacitor start / run design for assured starting, strong torque and grinding under heavy load
Pressed stator for precise shaft / bearing alignment, long life
Internal capacitors and start switch, no external control box required
Internal overload protection
Dual ball bearings (upper and lower)

OIL-FILLED MOTOR PROVIDES

Constant bearing lubrication
Maximum motor cooling, even temperature distribution

OPTIONAL

Guide rail system for easy removal of pump
--

SHAFT SEALS

Full mechanical seal (silicon/carbide) and secondary lip seal

SPECIFICATIONS

DISCHARGE	2" BSP, Vertical
LIQUID TEMPERATURE	120 degrees F. (Continuous), 140 degrees F. (Intermittent)
MOTOR HOUSING	Cast Iron, ASTM A-48, Class 30
CORD CAP	Cast Iron, ASTM A-48, Class 30
VOLUTE	Cast Iron, ASTM A-48, Class 30
SEAL PLATE	Cast Iron, ASTM A-48, Class 30
IMPELLER	Bronze, Ductile Iron, Vortex with 10 Pump-out Vanes, Dynamically Balanced
SHREDDING RING	Hardened 440C Stainless Steel 56-60 Rockwell C
GRINDER IMPELLER	Hardened 440C Stainless Steel 56-60 Rockwell C
SHAFT	416 Stainless Steel, (Primary) Mechanical, Silicom - Roatatng Face, Carbide - Stationary Face
SHAFT SEAL	Buna-N-Elastomer, 300 Series Stainless Steel - Hardware, (Secondary) Lip Seal
BEARING (UPPER)	Buna-N Single Row, Ball, Oil Lubricated
BEARING (LOWER)	Single Row, Ball, Oil Lubricated
HARDWARE	300 Series Stainless Steel
SQUARE RINGS	Buna-N
CABLE	UL/C/(UL) Listed 14 AWG, Type SJOW or SOOW, 20' Length Standard. Other lengths available
CABLE ENTRY	Triple Sealed Design, Compression Grommet - Outer Jacket Seal, Epoxy Potted - Inner Conductor Seal, Butt Connector - Inner Wire Strand Wicking Blockage
MOTOR (SINGLE PHASE)	1.1kW motor, 11 amps, 2900 RPM, 50Hz, 240 Volt, NEMA L, Includes Overload Protection in the Motor, Oil Filled, Class F, Capacitor Start / Capacitor Run, Start Capacitor... 200mfd, 250 volts, Run Capacitor... 30mfd, 300 volts
MOTOR (THREE PHASE)	1.1kW motor, 4 amps, 2900 RPM, 50Hz, 415 Volt, NEMA B, Requires Overload Protection in the Control Panel, Oil Filled, Class F