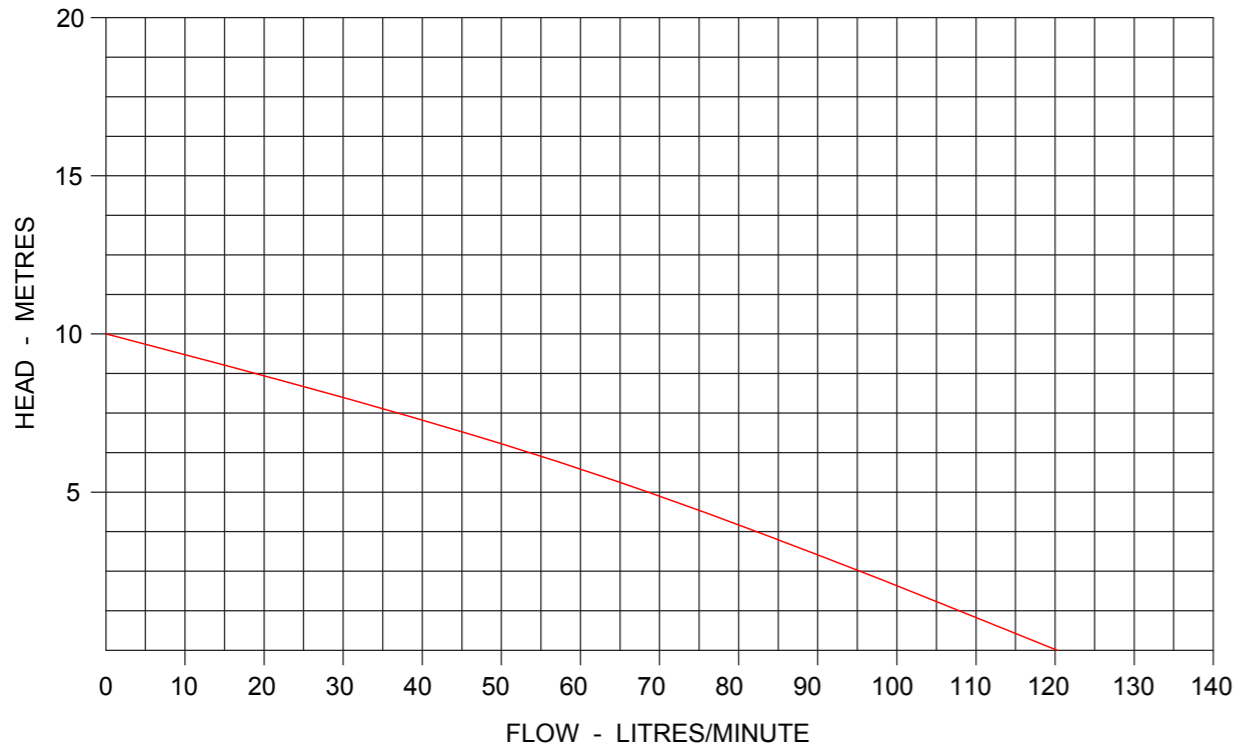


# SUBMERSIBLE PUMPS

DC12 SERIES

SABRE 12 VOLT

SABRE - SUBMERSIBLE PUMP MODEL DC 12 - 12 VOLT



SUBMERSIBLE PUMPS

### PUMP

This pump unit is a totally enclosed submersible pump. It is powered by a 0.25 kW, 12 volt DC, 20 amp motor. Battery clamps on the power cord for ease of connection to any 12 volt vehicle battery.

### SWITCH

The ON - OFF switch is located inline on the power cord.

### HOISTING & LOWERING

Use the attached nylon line. Do not use the power cord for handling the unit.

### OPERATING OF UNIT

Lower the unit into the liquid to be pumped (Note: This unit is not for pumping flammable liquids.) Turn on the switch. Pump can be run for a few minutes (less than 5 mins) without pumping liquid. Do not run completely dry for any extended period more than 5 mins. This will prevent damage to the shaft and seal.

### BATTERY CONNECTION

Check the position of the ON-OFF switch make certain the switch is in the OFF position before connecting to the battery, using this connection procedure eliminates arcing. Connect the RED battery clamp to the POSITIVE battery terminal. Connect the BLACK clamp to the NEGATIVE or ground to a rigid metallic surface on the engine. The connection should be 30 to 40 cm from the battery.

### RUNNING TIME PERIODS

The unit draws 20-25 amps and can be operated for approximately 1 hour on a fully charged 60 amp-hour battery and still be able to start the vehicle under normal conditions. Caution should be used when running times exceed 25-30 minutes without the engine running to recharge the battery. Also be mindful of cold temperatures which lowers battery efficiency. Review battery size (AMP-Hour rating) and the use of other accessories & lights etc while operating pump without the engine operating.

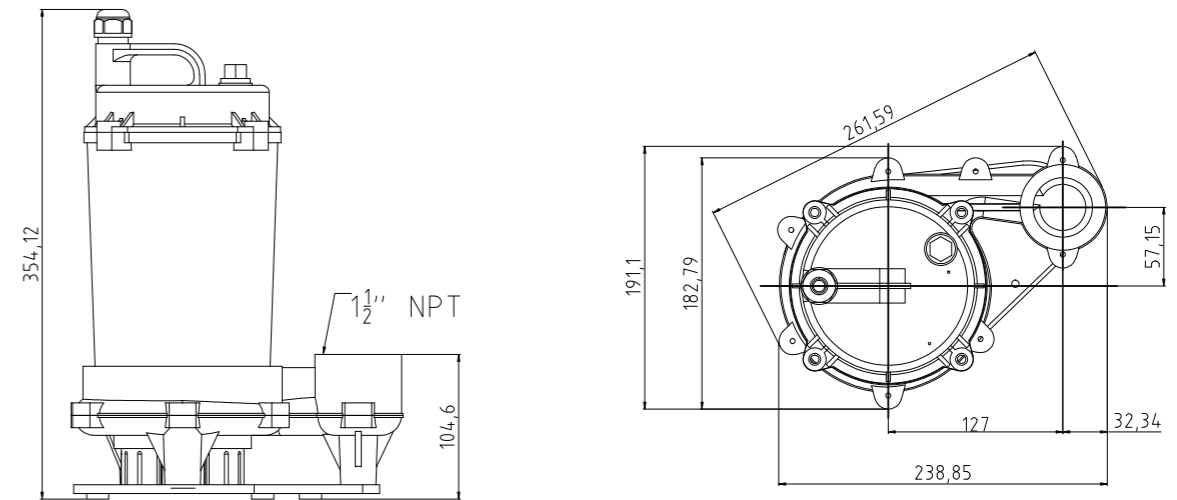
### OVERLOAD PROTECTION

Overload protection is provided with an "Inline" 25 amp fuse. Location is approximately 150mm below red (positive) battery clamp. The unit uses a standard automotive 25 amp fuse.



# DIMENSIONS

DC12 SERIES



CAPACITY		DISCHARGE HEIGHT	
GALLONS PER MINUTE	LITRES PER MINUTE	FEET	METRES
30.0	113.5	5	1.5
26.5	100.3	10	3.0
22.5	85.1	15	4.5
19.5	73.8	20	6.0
15.0	56.7	25	7.5
9.0	34.0	30	9.0
3.0	11.3	35	10.0