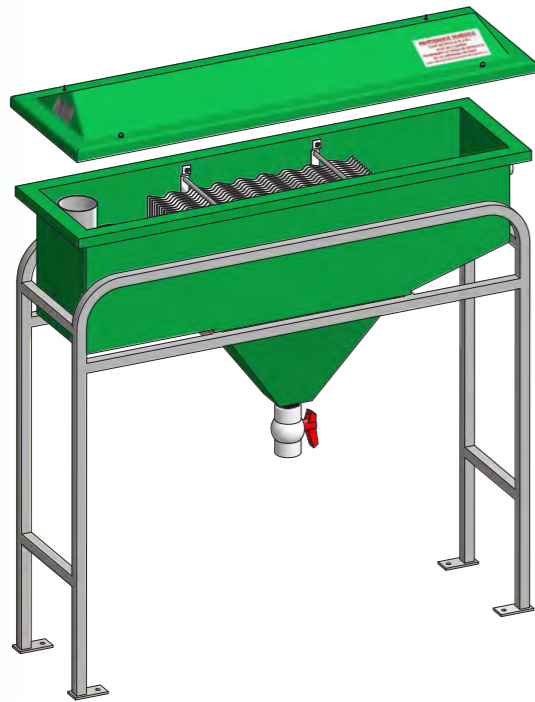


OIL WATER SEPARATORS

KCPS-1000

OIL WATER SEPARATORS

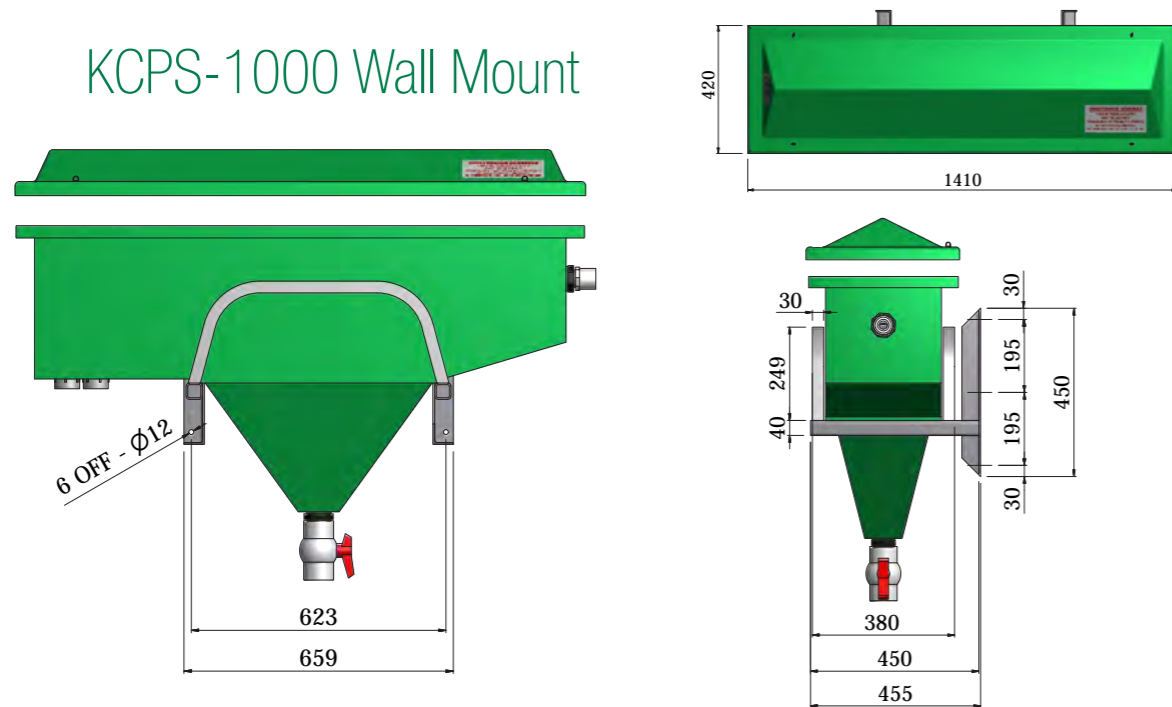


SPECIFICATIONS	
Model No.	KCPS-1000
Length	1410mm
Width	420mm
Height	1510mm
Norminal Volume-Litres	200
Approximate Weight - Free Standing (Including in-tank fittings & standard lid) (Excluding pump)	45kg
Approximate Weight - Wall Mount (Including in-tank fittings & standard lid) (Excluding pump)	28kg

CONSTRUCTION	
Polyethylene or stainless steel tank	
Inlet Pipes - 32mm pressure UPVC CAT 17 socket	
Outlet Pipe - Water 50mm DWV UPVC V66 Socket. Oil 50mm DWV UPVC V66 Socket	
Sludge Hopper - 50mm UPVC incorporating 50mm PVC ball valve	
Tank Construction - Chemical resistant UV stabilised polyethylene thickness 5mm	
Lid Construction - Chemical resistant UV stabilised polyethylene thickness 5mm	

PART NO.	MODEL NO.	DESCRIPTION	CAPACITY	KW	VOLTAGE	PUMP
640048	KCPS-1000	KCPS-1000 Standard	1000L/H	0.37	240	KDP25-100
640031	KCPS-1000WM	KCPS-1000WM Standard Wall Mount	1000L/H	0.37	240	KDP25-100
640018	KCPS-1000I	KCPS-1000 Intrinsically Safe	1000L/H	0.37	415	KDP25-100
640036	KCPS-1000WMI	KCPS-1000WM Intrinsically Safe	1000L/H	0.37	240	KDP25-100
640012	KCPS-1000SS	KCPS-1000 Stainless Steel	1000L/H	0.37	240	KDP25-100

KCPS-1000 Wall Mount



DIMENSIONS

KCPS-1000

