



Model CDA

Twin Impeller Cast Iron Pumps



Specifications

- Twin impeller centrifugal pump
- Maximum working pressure: 10 bar (6 bar for CDA 1.00)
- Maximum liquid temperature: 90 °C (40 °C for CDA 1.00)

Materials

- Pump casing: Cast Iron
- Impeller: Brass, (Noryl for CDA 1.00)
- Shaft: 303 Stainless Steel (wetted part)
- Bracket: Cast Iron, (Aluminium for CDA 1.00)
- Mechanical seal: Carbon/Ceramic/NBR

Motor Data

- TEFC, 2 pole, 50 Hz
- Insulation class F
- IP44 protection
- 1 Phase - 230 Volt
- Automatic thermal overload protection

Range

- 25 to 32 mm Ø discharge
- 0.75 to 1.5 kW - 1 Phase

Supply

- 1.8 m cable with 3 pin plug

Twin Impeller centrifugal pumps manufactured in cast iron. Suitable for boosting or transfer of water, washdown, small scale irrigation, etc.

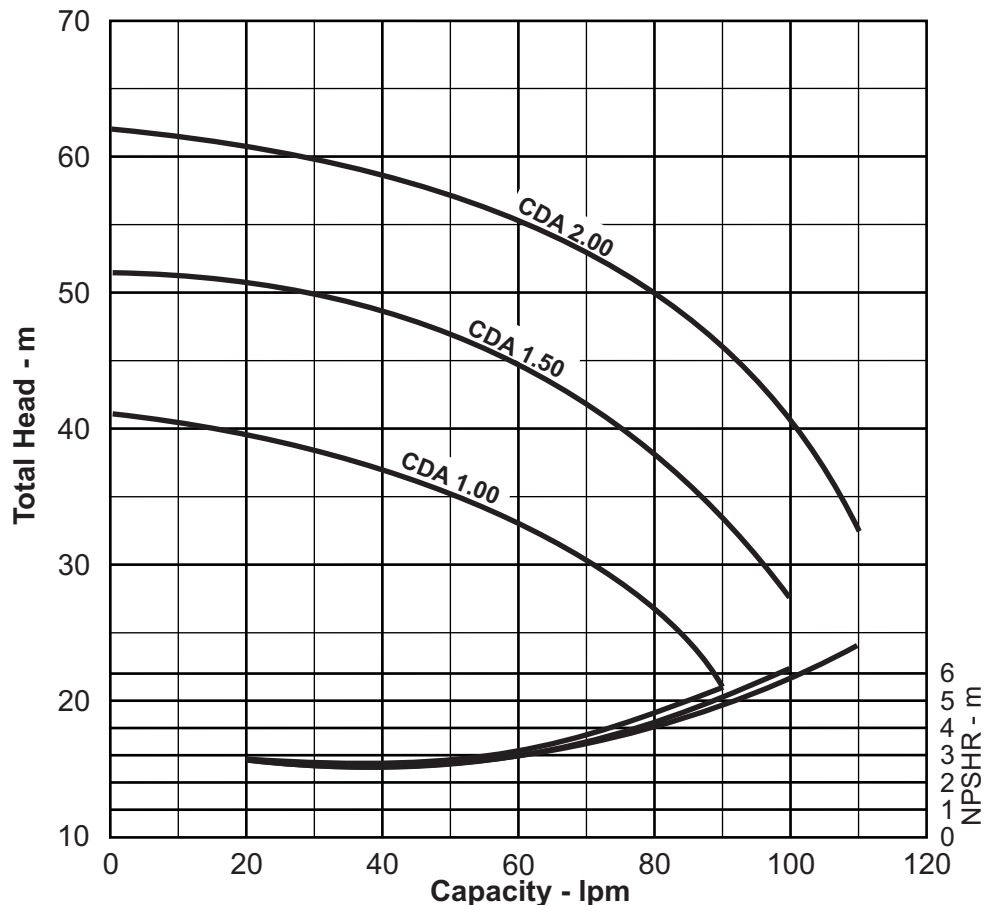
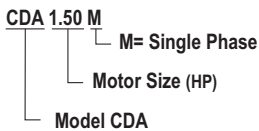
Performance Curve

Synchronous Speed:
3000 rpm

Water temp:
20 °C

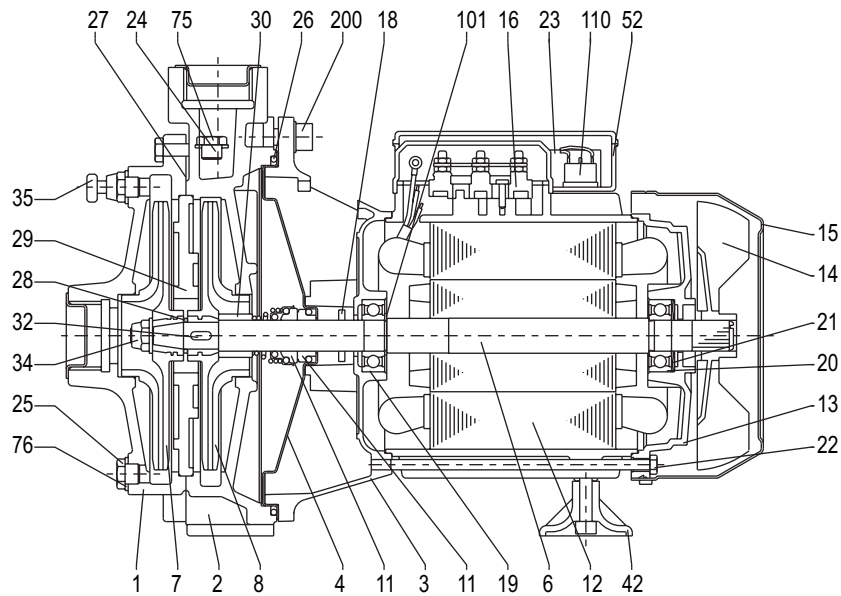
Applicable standard of test :
ISO 9906 Annex A

Model Code



Performance Table

Pump Model	Motor Output	Power Supply	Capacitor		Full Load Current	Capacity - lpm								
			µF	Vc		20	40	50	80	Total Head - m				
CDA 1.00 M	0.75 kW	230 V, 50 Hz, 1 PH	20 µF	450 Vc	6.1 A	39.5	37	35.2	27					
CDA 1.50 M	1.1 kW	230 V, 50 Hz, 1 PH	35 µF	450 Vc	8.6 A	50.8	48.8	47.1	38.4	33.4	27.5			
CDA 2.00 M	1.5 kW	230 V, 50 Hz, 1 PH	40 µF	450 Vc	10.8 A	60.5	58.6	56.9	49.8	46.5	40.3	32.5		

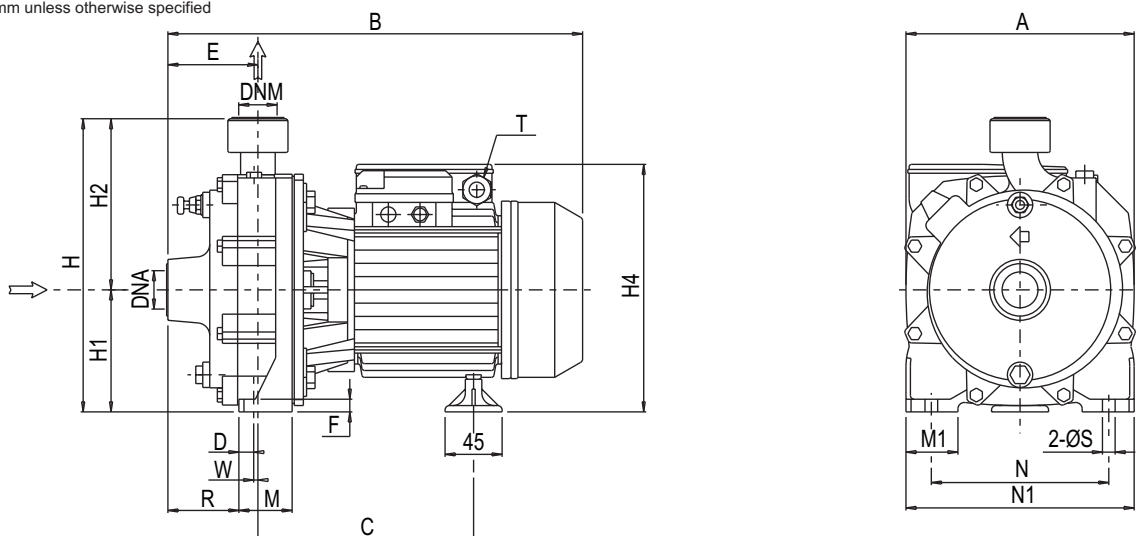


No.	Description	Material			Qty	No.	Description	Material			Qty	No.	Description	Material			Qty
		CDA 1.00M	CDA 1.50M	CDA 2.00M				CDA 1.00M	CDA 1.50M	CDA 2.00M				CDA 1.00M	CDA 1.50M	CDA 2.00M	
1	Casing	Cast Iron			1	16	Terminal block	-			1	29	Intermediate plate	Cast Iron			1
2	Casing	Cast Iron			1	18	Splash ring	NBR			1	30	Mech. seal spacer	Brass			1
3	Motor bracket	Alum	Cast Iron		1	19	Pump side bearing	Sealed ball			1	32	Key	316 S/Steel			1
4	Casing cover	304 S/St	Cast Iron		1	20	Fan side bearing	Sealed ball			1	34	Impeller nut	304 S/St			1
6	Shaft with rotor	303 S/S (in contact with liquid)			1	21	Adjusting ring	Steel C70			1	35	Air breather valve	-			1
7	Impeller	PPE*	Brass		1	22	Tie rod	Fe 420 (Gal)			4	42	Foot	PVC			1
8	Impeller	PPE*	Brass		1	23	Capacitor	-			1	52	Terminal box	ABS			1
11	Mechanical seal	Car/Cer/NBR			1	24	Priming plug	Brass			1	75	Washer	Aluminium			1
12	Motor frame & stator	-			1	25	Drain plug	Brass			1	76	Washer	Aluminium			1
13	Motor cover	Aluminium			1	26	O-Ring	NBR			1	101	Seeger ring	420 S/Steel			1
14	Fan	Polyamide			1	27	Gasket	Fibre			1	110	Protector	-			1
15	Fan cover	Fe P04 (Gal)			1	28	O-Ring	NBR			1	200	Screw	Zn Steel			4

PPE* = PPE + PS Glass Fibre

Dimensions

Units: mm unless otherwise specified



Pump Model	Dimensions																				Weight kg
	A	B	C	D	E	F	H	H1	H2	H4	M	M1	N	N1	R	T	W	S	DNA	DNM	
CDA 1.00 M	183	336.3	179.8	8.3	73	9	227	97	130	198	42	40	140	180	57.5	PG11	6.8	9.5	1"	1"	15
CDA 1.50 M	209	407.8	218.3	8.3	86	9	265	110	155	242	48	40	155	195	65.5	PG13.5	12.3	9.5	1¼"	1"	25
CDA 2.00 M	209	410.8	218.3	8.3	86	9	265	110	155	242	48	40	155	195	65.5	PG13.5	12.3	9.5	1¼"	1"	27

Specifications subject to change without notice