

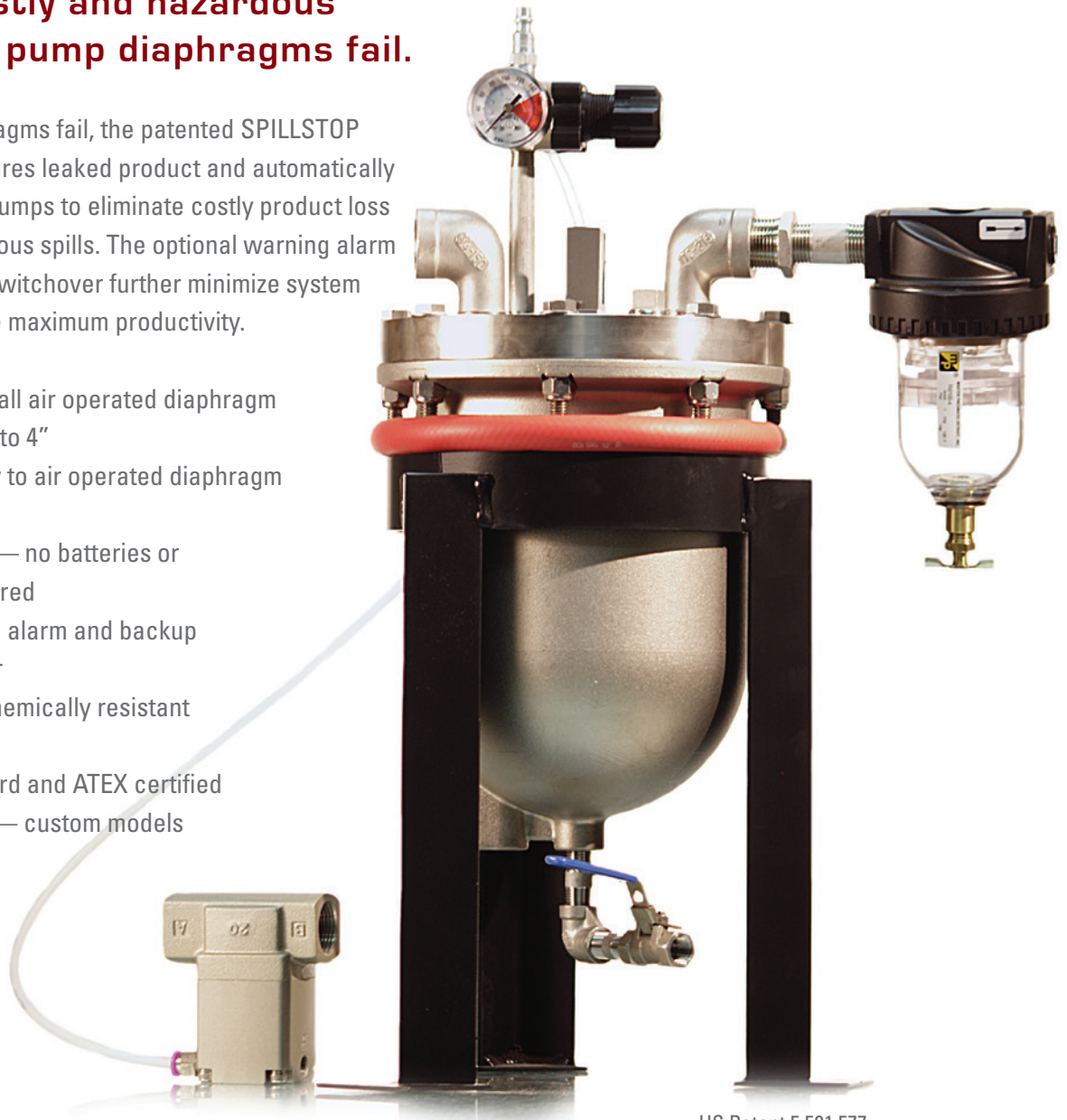
SPILLSTOP™

STOP THE SPILL BEFORE IT HAPPENS

Prevent costly and hazardous spills when pump diaphragms fail.

When pump diaphragms fail, the patented SPILLSTOP system safely captures leaked product and automatically shuts down failed pumps to eliminate costly product loss and prevent hazardous spills. The optional warning alarm and backup pump switchover further minimize system downtime to ensure maximum productivity.

- Compatible with all air operated diaphragm pumps from 1/4" to 4"
- Attaches directly to air operated diaphragm pump exhaust
- Fully pneumatic — no batteries or electronics required
- Optional warning alarm and backup pump switchover
- Wide range of chemically resistant body materials
- Variety of standard and ATEX certified models in stock — custom models on request



US Patent 5,501,577

BLACOH™
FLUID CONTROL

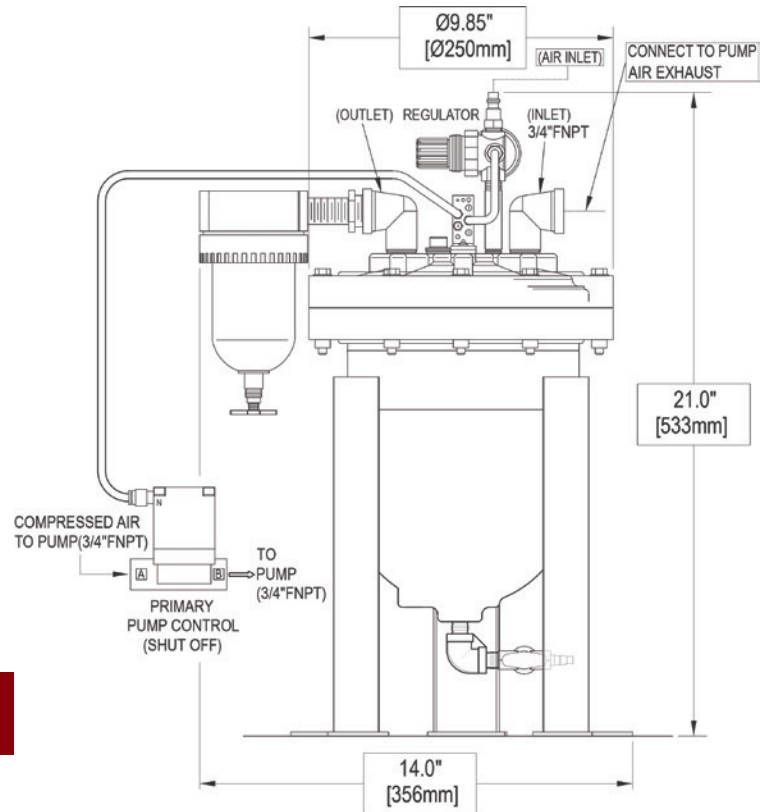
Safety first.

When diaphragms fail in AODD pumps, dangerous process fluids are expelled from the pump's air exhaust putting employees, equipment and the environment at risk. SPILLSTOP prevents the hazardous spill by safely capturing expelled fluid and shutting down the failed pump.

Can you afford not to own it?

Unmonitored spills are very costly considering the expense of product loss, system downtime, hazardous cleanup and EPA reporting. By preventing a single spill, the product savings alone would more than pay for your investment in SPILLSTOP. To increase effectiveness, equip your SPILLSTOP with an optional warning alarm whistle, backup pump switch and additional pump shutoff valves for multiple pumps or high suction tank applications.

SPILLSTOP™



Calculate Your ROI

Gallons Pumped per Minute	100
Cost per Gallon	\$10
Spill Cost per Minute	\$1,000

Body Materials	Lid Materials	Options
<ul style="list-style-type: none"> ■ Polypropylene ■ Stainless Steel ■ PVDF ■ Hastelloy C 	<ul style="list-style-type: none"> ■ Noryl ■ Stainless Steel ■ PVDF ■ PTFE Coated Stainless Steel 	<ul style="list-style-type: none"> ■ Warning Whistle to sound the alarm ■ Electric to Pneumatic Switch to start backup pump ■ Additional Pump Shutoff Valves for multiple pumps or high suction tanks

Contact your local BLACOH distributor:

BLACOH™
FLUID CONTROL

Don't Pump Without Us.

PULSATION DAMPENERS ■ SURGE SUPPRESSORS ■ INLET STABILIZERS ■ DIAPHRAGM SEALS/GAUGE GUARDS ■ BACK PRESSURE/PRESSURE RELIEF VALVES ■ LEAK CONTAINMENT/SPILL PREVENTION SYSTEMS